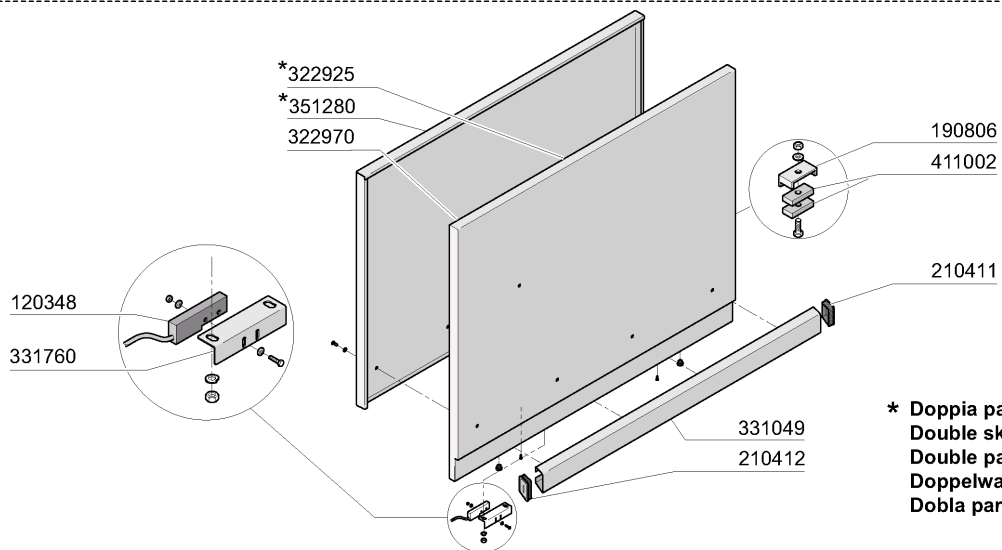
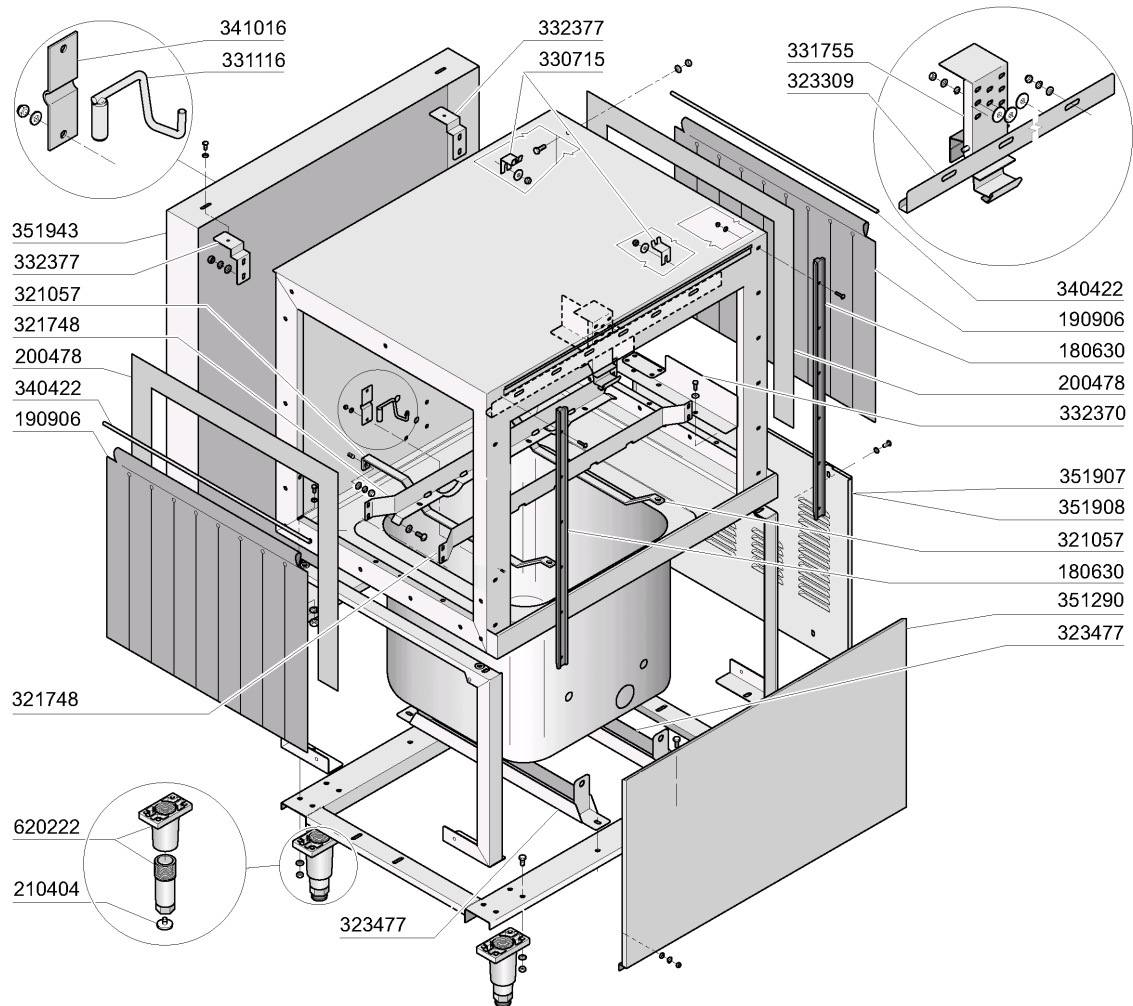


## 2 - prewash hood 900mm



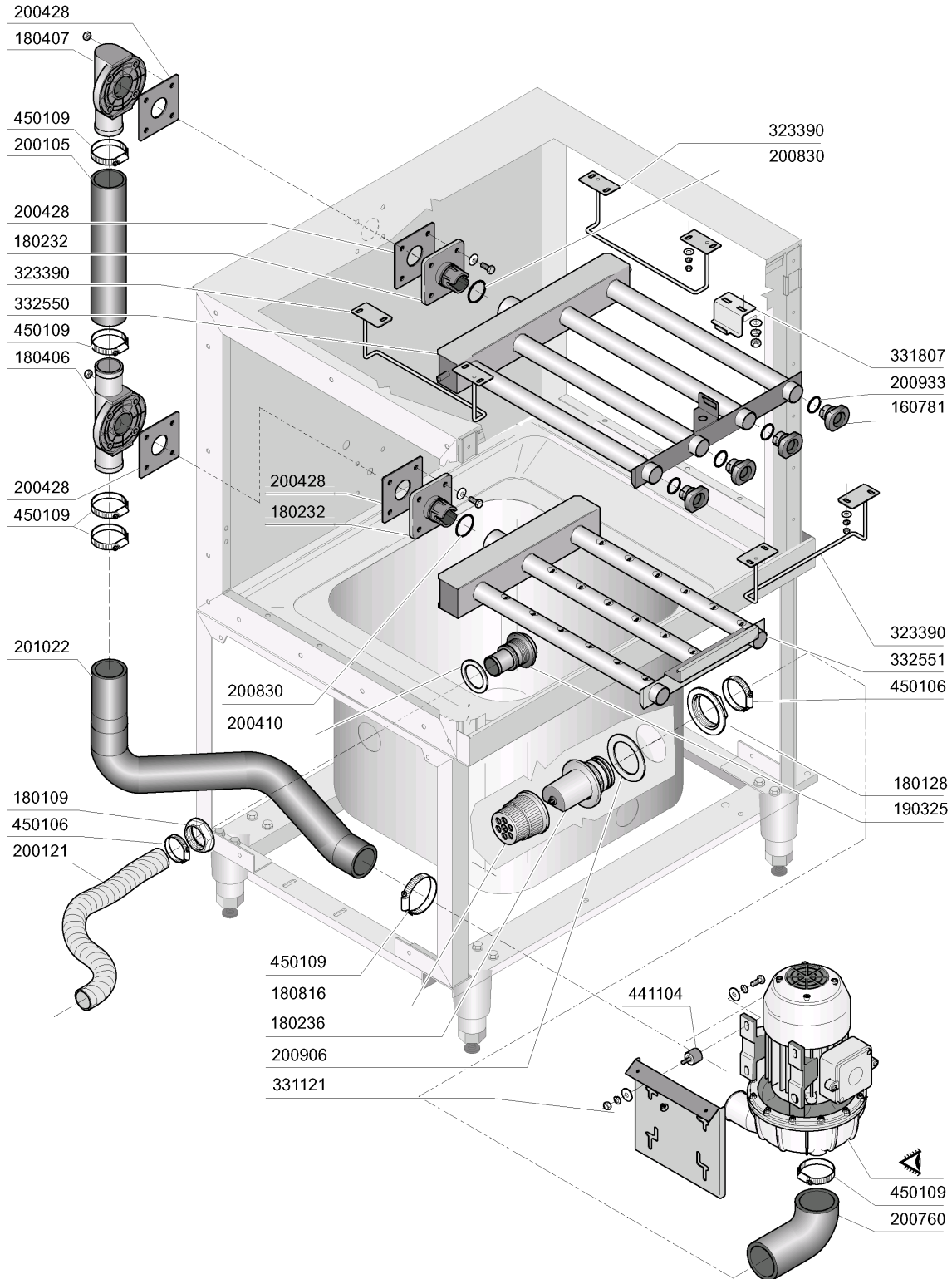
\* Doppia parete  
Double skin  
Double paroi  
Doppelwandig  
Dobla pared

M.G. 10/06

**2 - prewash hood 900mm**

| <b>CODE</b> | <b>DESCRIPTION</b>             |
|-------------|--------------------------------|
| 120348      | MAGN.SWITCH (N.O.)             |
| 180630      | DOUBLE SKINNED DOOR RUNNER -AC |
| 190806      | MAGNET HOUSING                 |
| 190906      | CURTAIN IN/OUT 620X480         |
| 200478      | SELF-ADHESIVE GASKET 65X4      |
| 210404      | BLACK RUBBER FOOT S90 NE SE    |
| 210411      | RIGHT PLUG FOR ACR/AC HANDLE   |
| 210412      | LEFT PLUG FOR ACR/AC HANDLE    |
| 321057      | LOWER WASH ARM SUPPORT         |
| 321748      | GUIDE                          |
| 322925      | DOOR 900 ACR                   |
| 322970      | DOOR 900MM ACR NEW             |
| 323309      | PARASPRUZZI PER CAPOT 900      |
| 323477      | TRAVERSA SOST.VASCHE AC/ACR    |
| 330715      | UPPER BRACKET CURTAIN SNL-SE   |
| 331049      | 900MM DOOR HANDLE ACR          |
| 331116      | DOOR SECURITY HOOK             |
| 331755      | HOOK FOR DOOR SUPPORT          |
| 331760      | BRACKET                        |
| 332370      | PARASPRUZZI E SUPP.AC/ACR 2001 |
| 332377      | SQUADR.AGG.PANN.POST.AC/R/2001 |
| 340422      | SHAFT FOR CURTAIN AC-ACR       |
| 341016      | BRACKET FOR DOOR SECURITY HOOK |
| 351280      | INSUL.PANEL FOR DOOR 900 ACR   |
| 351290      | FRONT PANEL ACR                |
| 351907      | PANN.LAT.LE SX AC COIBENTATE   |
| 351908      | PANN.LAT.LE DX AC COIBENTATE   |
| 351943      | BACK PANEL 900                 |
| 411002      | PERMANENT MAGNET 24X12         |
| 620222      | COMPLETE ALUMINIUM LEGS        |

### 3 - prewash column 900mm

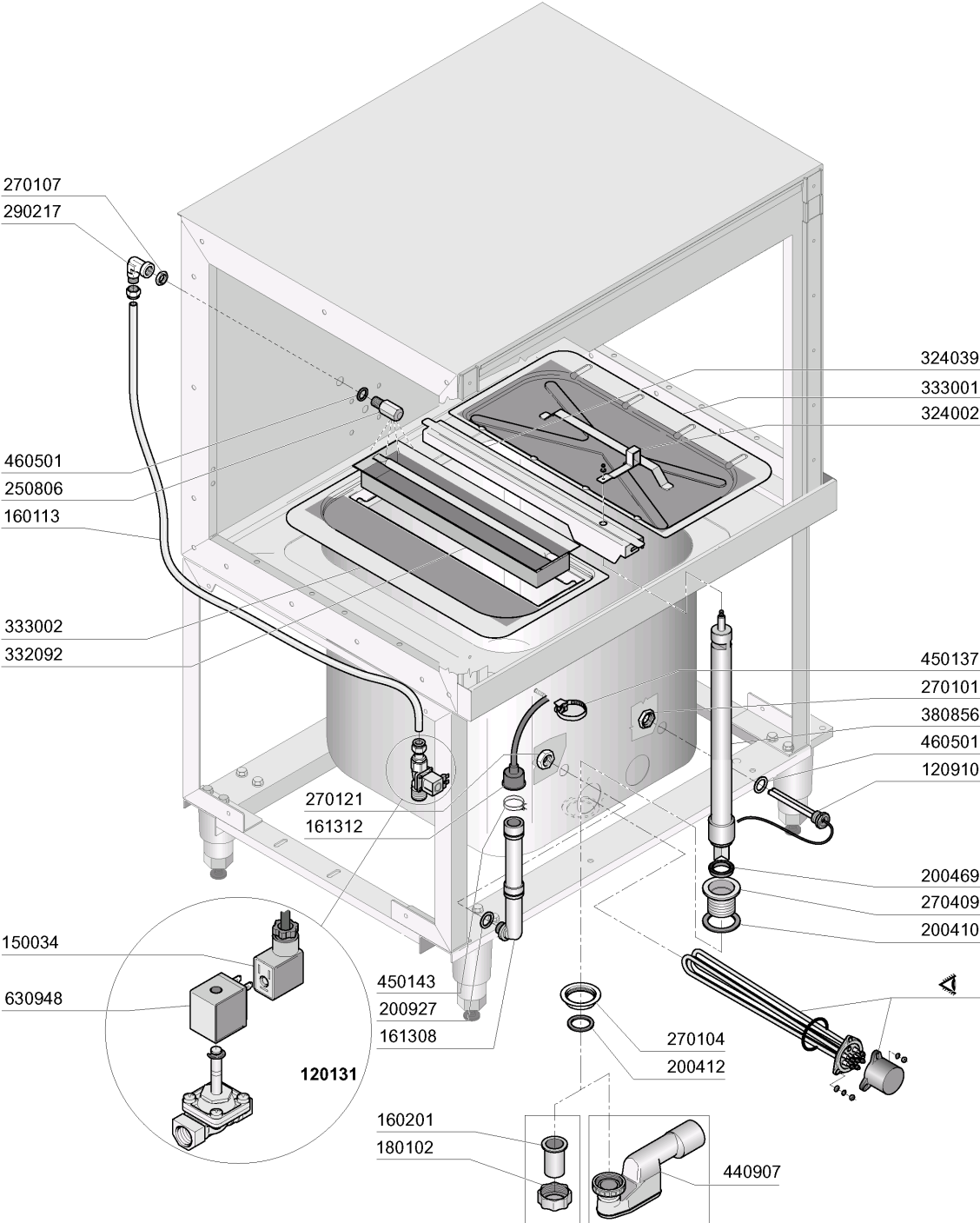


M.G. 01/08

**3 - prewash column 900mm**

| <b>CODE</b> | <b>DESCRIPTION</b>             |
|-------------|--------------------------------|
| 160781      | PLUG FOR COLLECTOR NEW AC      |
| 180109      | LOCK NUT 1 1/2"                |
| 180128      | RING NUT 65,4 C140 C85         |
| 180232      | WASH ARM FLANGE SNL            |
| 180236      | PUMP SUCTION FOR AC-ACR-C155   |
| 180406      | T-CONNECTOR F. WASHING S90-SNL |
| 180407      | ELBOW S90 S N L                |
| 180816      | STRAINER OF INLET PUMP AC-ACR  |
| 190325      | OVERFLOW CONNECTOR             |
| 200105      | RUBBER HOSE 50X60              |
| 200121      | RUBBER HOSE 45X55              |
| 200410      | DRAIN OUTL.WASH.1 1/2"65X47X2  |
| 200428      | GASKET 100X100X3 NEOTEN        |
| 200760      | SUCTION HOSE FOR ACR           |
| 200830      | O-RING 37,3X44,5X3,6           |
| 200906      | GASKET D.92X66X2               |
| 200933      | OR 24/32/4 FOR PLUG COLLECTOR  |
| 201022      | OUTLET HOSE AC91-AC101         |
| 323390      | GUIDE                          |
| 331121      | FIXING PLATE FOR PUMP ACR      |
| 331807      | BRACKET                        |
| 332550      | UPPER 900 PREWASH ARM ACRS     |
| 332551      | LOWER 900 PREWASH ARM ACRS     |
| 441104      | VIBRATION-DAMPING FEET FOR ACR |
| 450106      | CLAMP FE ZN 32-44 H=12,2       |
| 450109      | CLAMP 50-65                    |

4 - prewash tank 900mm

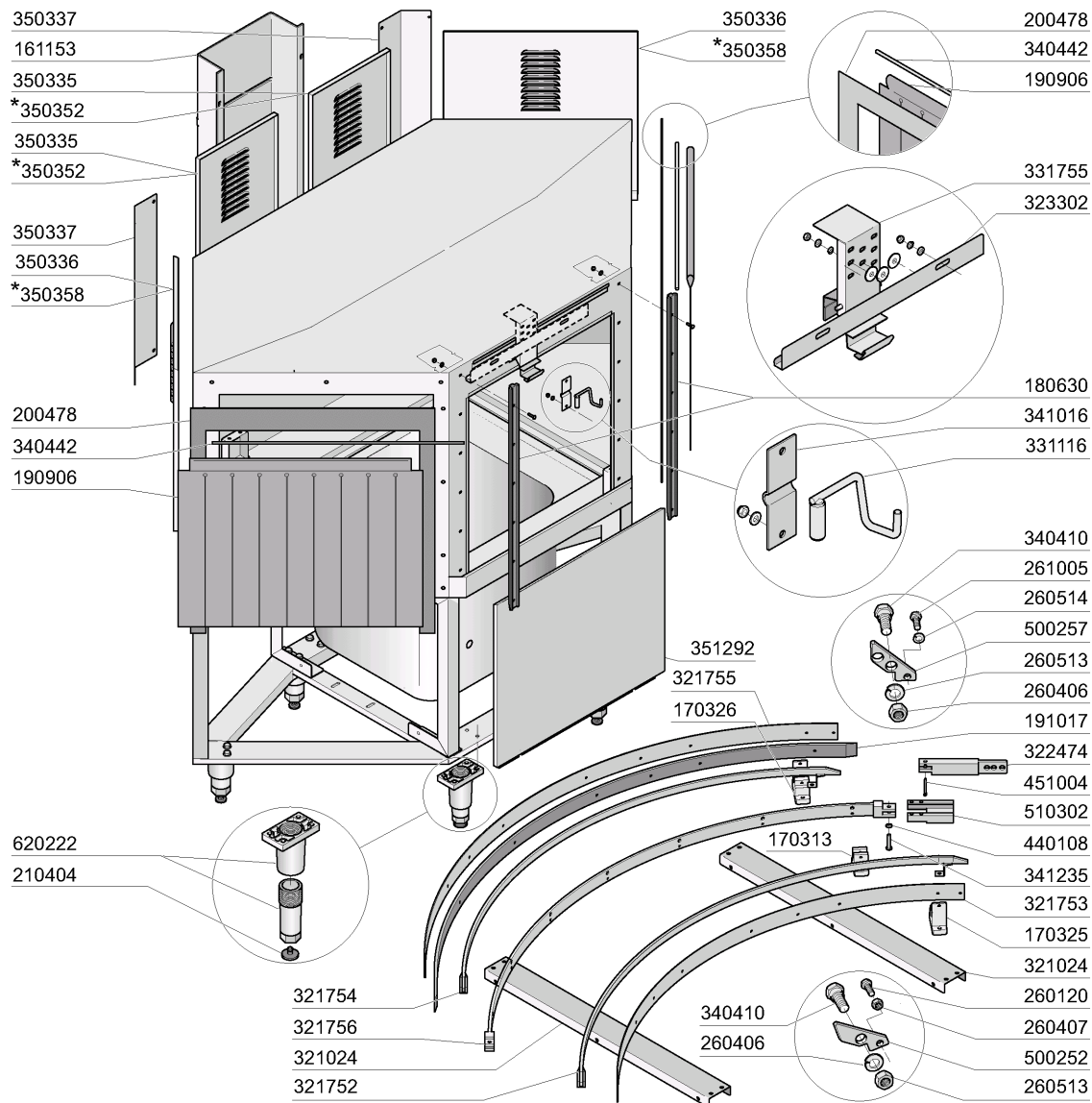


M.G. 01/08

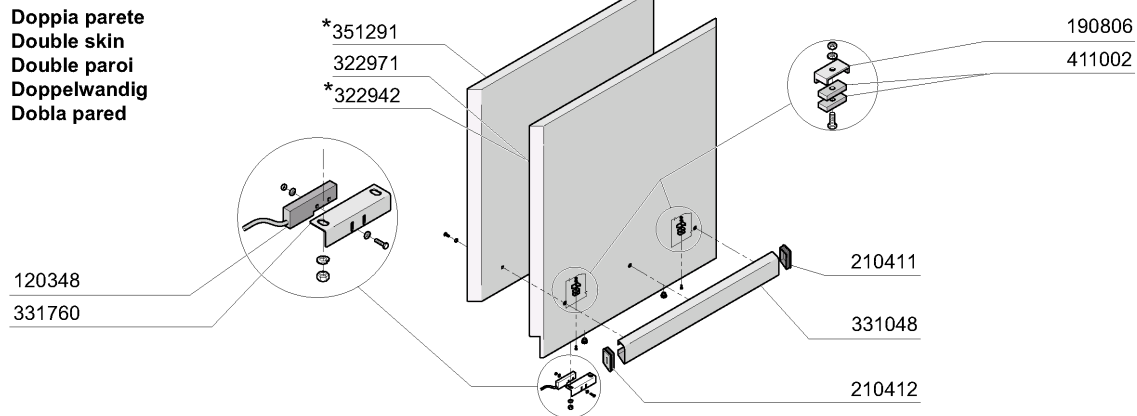
4 - prewash tank 900mm

| CODE   | DESCRIPTION                    |
|--------|--------------------------------|
| 120131 | SOLEN. L182Q31-ZB10A 1/2"24V   |
| 120910 | ELECTRONIC TOUCH PAD CONTROLS  |
| 150034 | CONNEC.F.SOLEN.VALVE 122.09.N  |
| 160113 | TUBE IN POL. RETIC. 12 EST     |
| 160201 | ELBOW F.TANK INLET MOPLEN      |
| 161308 | AIR CHAMBER C95-155            |
| 161312 | HOSE FOR PRESSURE SWITCH C95-1 |
| 180102 | DRAIN PIPE NUT 1"1/2 F45-55    |
| 200410 | DRAIN OUTL.WASH.1 1/2"65X47X2  |
| 200412 | GASKET DRAIN 11/2" 45X33X3     |
| 200469 | STAND PIPE O RING 45X35,5X7    |
| 200927 | GASKET FOR AIR TRAP            |
| 250806 | TANK FILL HOSE CLAMP - AC/ACR  |
| 270101 | HEXAGON LOCK NUT 1/2"          |
| 270104 | LOCK NUT 1" 1/2                |
| 270107 | BRASS LOCK NUT 3/8" FL803      |
| 270121 | NUT FOR AIR TRAP               |
| 270409 | DRAIN OUTLET AC-ACR            |
| 290217 | HOSE CLAMP ELBOW 12X3/8" TYPE  |
| 324002 | OVERFLOW PIPE LEVER ACS        |
| 324039 | FILTER GUIDE 900/1300 ACS      |
| 332092 | STRAINER FOR PREWASH TANK ACS  |
| 333001 | STRAINER 900 ACS               |
| 333002 | STRAINER 900 ACS               |
| 380856 | OVERFLOW PIPE FOR PREWASH TANK |
| 440907 | SIPHON 1"1/2                   |
| 450137 | COLLAR CONNECTION WITH BASE 31 |
| 450143 | CLAMP D.39,7 X 37,7            |
| 460501 | GASKET 24X17X2                 |
| 630948 | COIL Z610A 24V 50/60-L180V01   |

# 5 - corner hood



**Doppia parete**  
**Double skin**  
**Double paroi**  
**Doppelwandig**  
**Dobla pared**



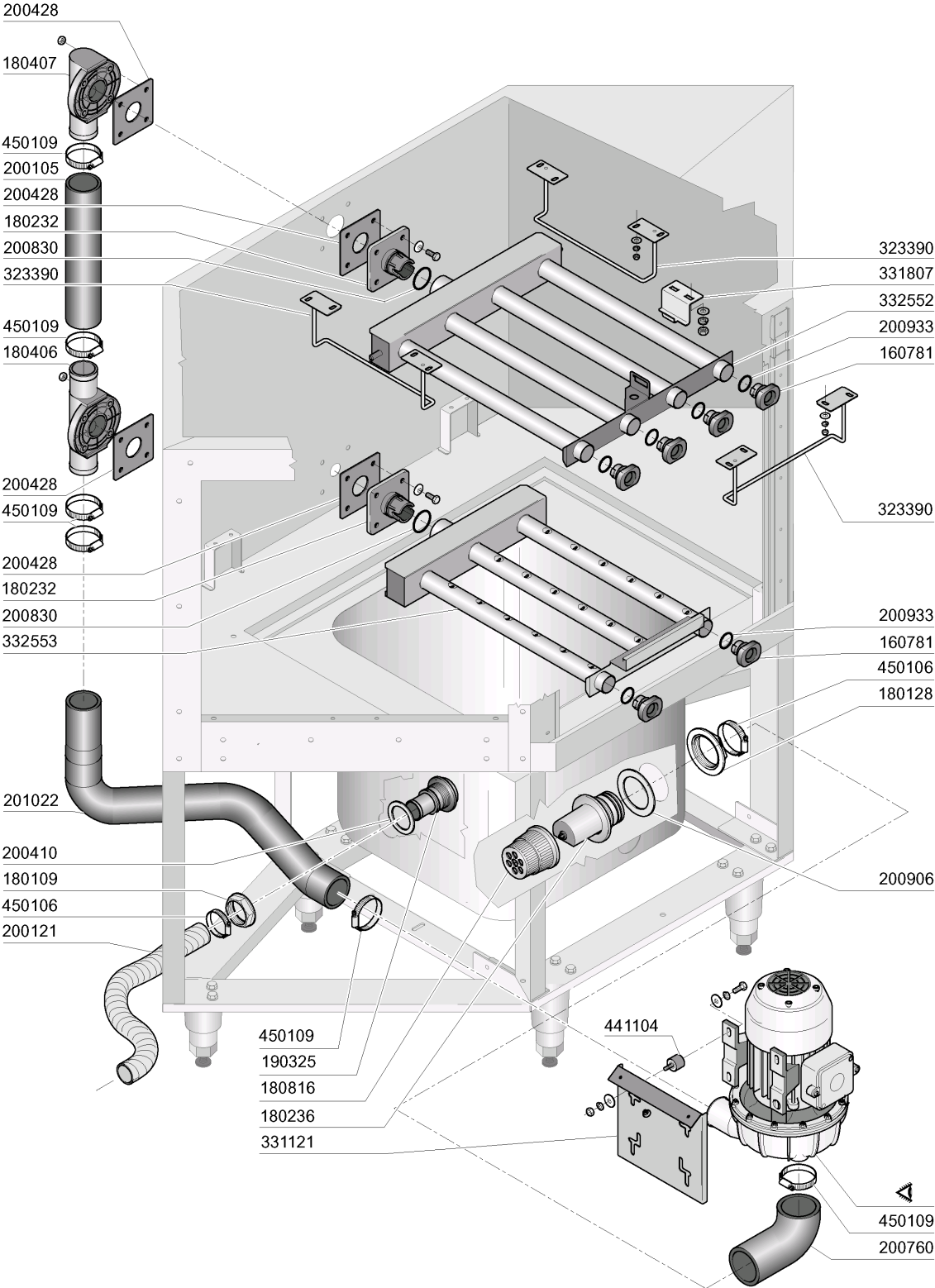
M.G. 11/06

## 5 - corner hood

| CODE   | DESCRIPTION                    |
|--------|--------------------------------|
| 120348 | MAGN.SWITCH (N.O.)             |
| 161153 | BACK COVER CHANNEL 300X1240 (S |
| 170313 | FRICTION PAD                   |
| 170325 | INT. GUIDE SUPPORT SE CORNER   |
| 170326 | EXT.GUIDE SUPPORT SE CORNER    |
| 180630 | DOUBLE SKINNED DOOR RUNNER -AC |
| 190806 | MAGNET HOUSING                 |
| 190906 | CURTAIN IN/OUT 620X480         |
| 191017 | ANTIFRICT.COVER F.EXT.GUIDE CO |
| 200478 | SELF-ADHESIVE GASKET 65X4      |
| 210404 | BLACK RUBBER FOOT S90 NE SE    |
| 210411 | RIGHT PLUG FOR ACR/AC HANDLE   |
| 210412 | LEFT PLUG FOR ACR/AC HANDLE    |
| 260120 | SCREW TE 10X20                 |
| 260406 | NUT 8MA                        |
| 260407 | STAINLESS STEEL NUTS D10 UNI 5 |
| 260513 | GROWER WASHER D8               |
| 260514 | GROWER WASHER D.10             |
| 261005 | SCREW F. TEE UP.WASH F2-B41    |
| 321024 | SUPPORT                        |
| 321752 | GUIDE                          |
| 321753 | GUIDE                          |
| 321754 | GUIDE                          |
| 321755 | GUIDE                          |
| 321756 | GUIDE                          |
| 322474 | PAWL BAR GUIDE WASH AC         |
| 322942 | CORNER DOOR                    |
| 322971 | CORNER DOOR                    |
| 323302 | BRACKET                        |
| 331048 | 600MM DOOR HANDLE              |
| 331116 | DOOR SECURITY HOOK             |
| 331755 | HOOK FOR DOOR SUPPORT          |
| 331760 | BRACKET                        |
| 340410 | PAWL PINS (WASH) STAINLESS STE |
| 340442 | SHAFT D.8 FOR CURTAIN          |
| 341016 | BRAKET FOR DOOR SECURITY HOOK  |
| 341235 | PIVOT PIN SE                   |
| 350335 | PANEL                          |
| 350336 | PANEL                          |
| 350337 | BACK PANEL                     |
| 350352 | BACK PANEL 900 ACR             |
| 350358 | BACK PANEL                     |
| 351291 | DOOR PANEL                     |
| 351292 | FRONT PANEL ACR                |
| 411002 | PERMANENT MAGNET 24X12         |
| 440108 | WHEEL F.CENTRAL SLIDING        |
| 451004 | STAINL.ST COTTER PIN 2,5X30    |
| 500252 | PAWLS FOR WASHING /ACR CORNER  |
| 500257 | PAWL FOR CORNER VERS.MACHINE   |
| 510302 | GUIDE FOR WHEEL SE             |
| 620222 | COMPLETE ALUMINIUM LEGS        |



6 - corner prewash column

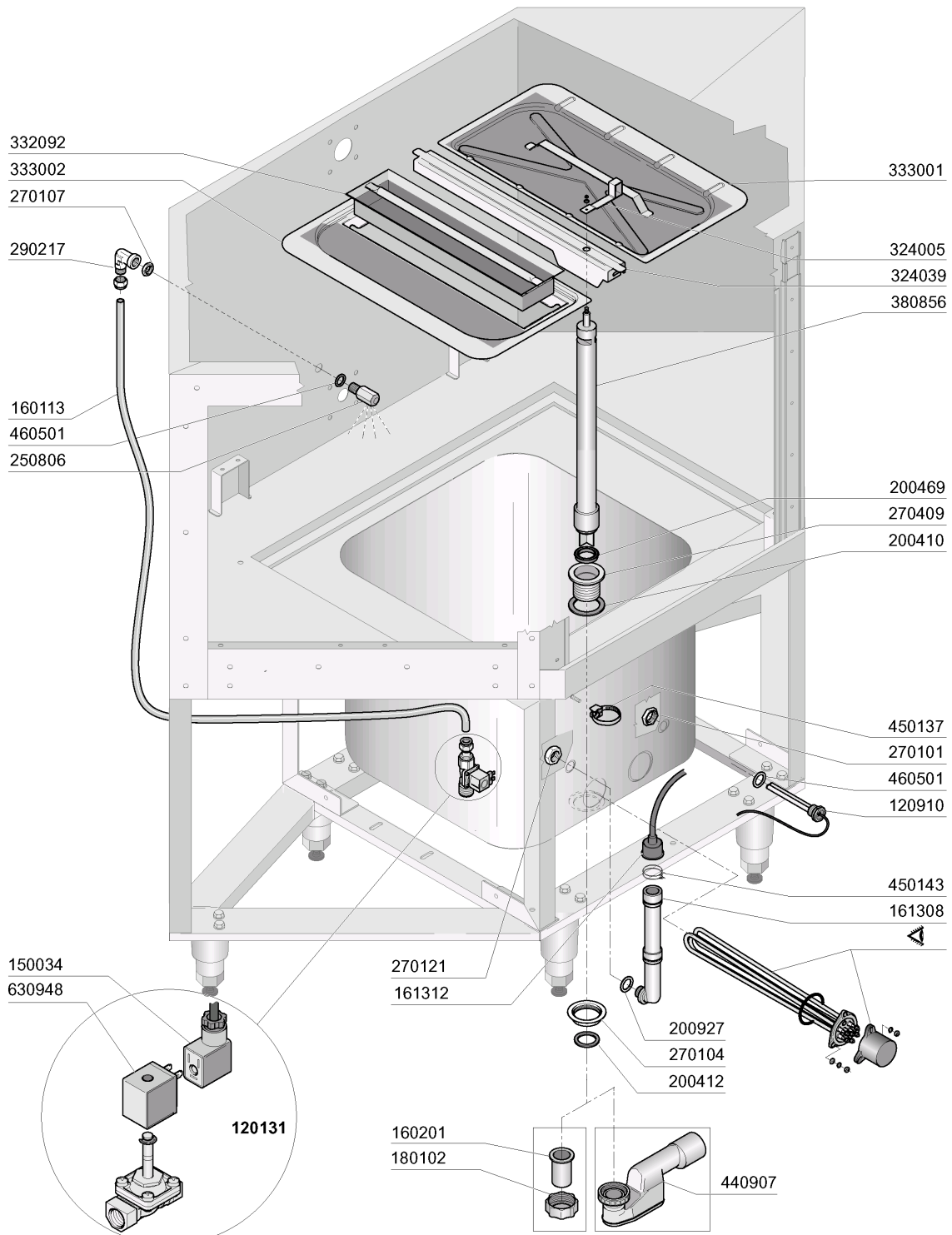


M.G. 01/08

## 6 - corner prewash column

| CODE   | DESCRIPTION                    |
|--------|--------------------------------|
| 160781 | PLUG FOR COLLECTOR NEW AC      |
| 180109 | LOCK NUT 1 1/2"                |
| 180128 | RING NUT 65,4 C140 C85         |
| 180232 | WASH ARM FLANGE SNL            |
| 180236 | PUMP SUCTION FOR AC-ACR-C155   |
| 180406 | T-CONNECTOR F. WASHING S90-SNL |
| 180407 | ELBOW S90 S N L                |
| 180816 | STRAINER OF INLET PUMP AC-ACR  |
| 190325 | OVERFLOW CONNECTOR             |
| 200105 | RUBBER HOSE 50X60              |
| 200121 | RUBBER HOSE 45X55              |
| 200410 | DRAIN OUTL.WASH.1 1/2"65X47X2  |
| 200428 | GASKET 100X100X3 NEOTEN        |
| 200760 | SUCTION HOSE FOR ACR           |
| 200830 | O-RING 37,3X44,5X3,6           |
| 200906 | GASKET D.92X66X2               |
| 200933 | OR 24/32/4 FOR PLUG COLLECTOR  |
| 201022 | OUTLET HOSE AC91-AC101         |
| 323390 | GUIDE                          |
| 331121 | FIXING PLATE FOR PUMP ACR      |
| 331807 | BRACKET                        |
| 332552 | UPPER 900 WASH ARM ACRS        |
| 332553 | LOWER 900 WASH ARM ACRS        |
| 441104 | VIBRATION-DAMPING FEET FOR ACR |
| 450106 | CLAMP FE ZN 32-44 H=12,2       |
| 450109 | CLAMP 50-65                    |

# 7 - corner prewash tank

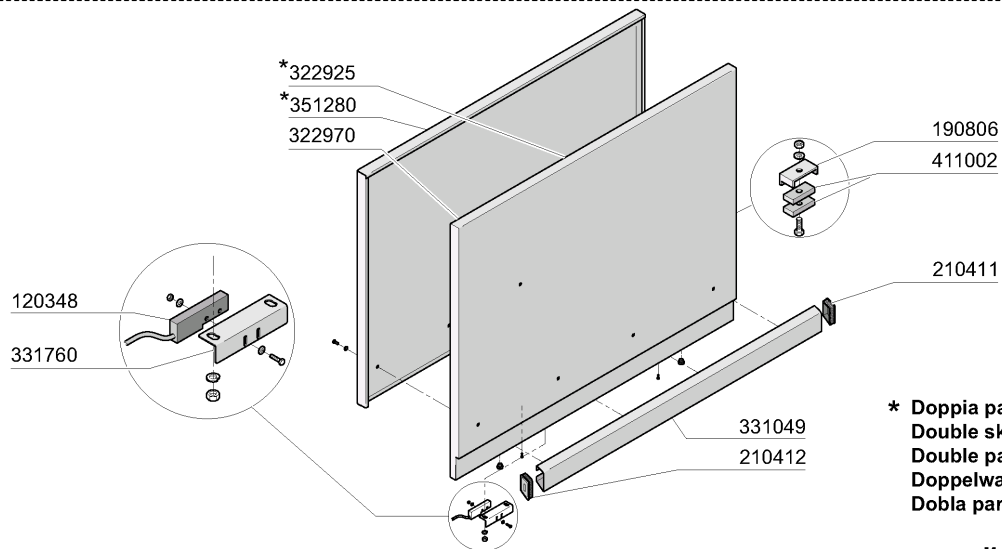
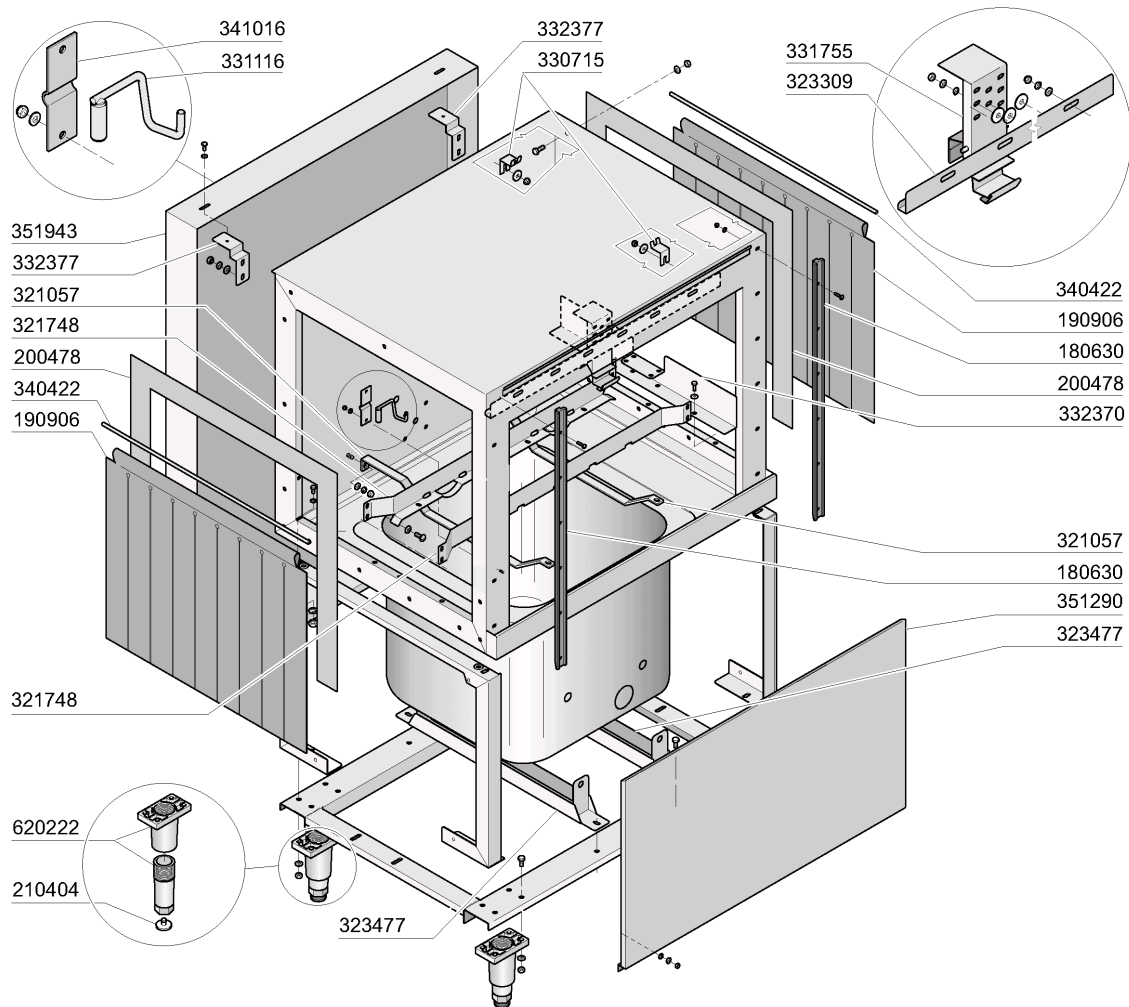


M.G. 01/08

7 - corner prewash tank

| CODE   | DESCRIPTION                    |
|--------|--------------------------------|
| 120131 | SOLEN. L182Q31-ZB10A 1/2"24V   |
| 120910 | ELECTRONIC TOUCH PAD CONTROLS  |
| 150034 | CONNEC.F.SOLEN.VALVE 122.09.N  |
| 160113 | TUBE IN POL. RETIC. 12 EST     |
| 160201 | ELBOW F.TANK INLET MOPLEN      |
| 161308 | AIR CHAMBER C95-155            |
| 161312 | HOSE FOR PRESSURE SWITCH C95-1 |
| 180102 | DRAIN PIPE NUT 1"1/2 F45-55    |
| 200410 | DRAIN OUTL.WASH.1 1/2"65X47X2  |
| 200412 | GASKET DRAIN 11/2" 45X33X3     |
| 200469 | STAND PIPE O RING 45X35,5X7    |
| 200927 | GASKET FOR AIR TRAP            |
| 250806 | TANK FILL HOSE CLAMP - AC/ACR  |
| 270101 | HEXAGON LOCK NUT 1/2"          |
| 270104 | LOCK NUT 1" 1/2                |
| 270107 | BRASS LOCK NUT 3/8" FL803      |
| 270121 | NUT FOR AIR TRAP               |
| 270409 | DRAIN OUTLET AC-ACR            |
| 290217 | HOSE CLAMP ELBOW 12X3/8" TYPE  |
| 324005 | OVERFLOW PIPE LEVER ACRS       |
| 324039 | FILTER GUIDE 900/1300 ACS      |
| 332092 | STRAINER FOR PREWASH TANK ACS  |
| 333001 | STRAINER 900 ACS               |
| 333002 | STRAINER 900 ACS               |
| 380856 | OVERFLOW PIPE FOR PREWASH TANK |
| 440907 | SIPHON 1"1/2                   |
| 450137 | COLLAR CONNECTION WITH BASE 31 |
| 450143 | CLAMP D.39,7 X 37,7            |
| 460501 | GASKET 24X17X2                 |
| 630948 | COIL Z610A 24V 50/60-L180V01   |

8 - wash hood 900mm

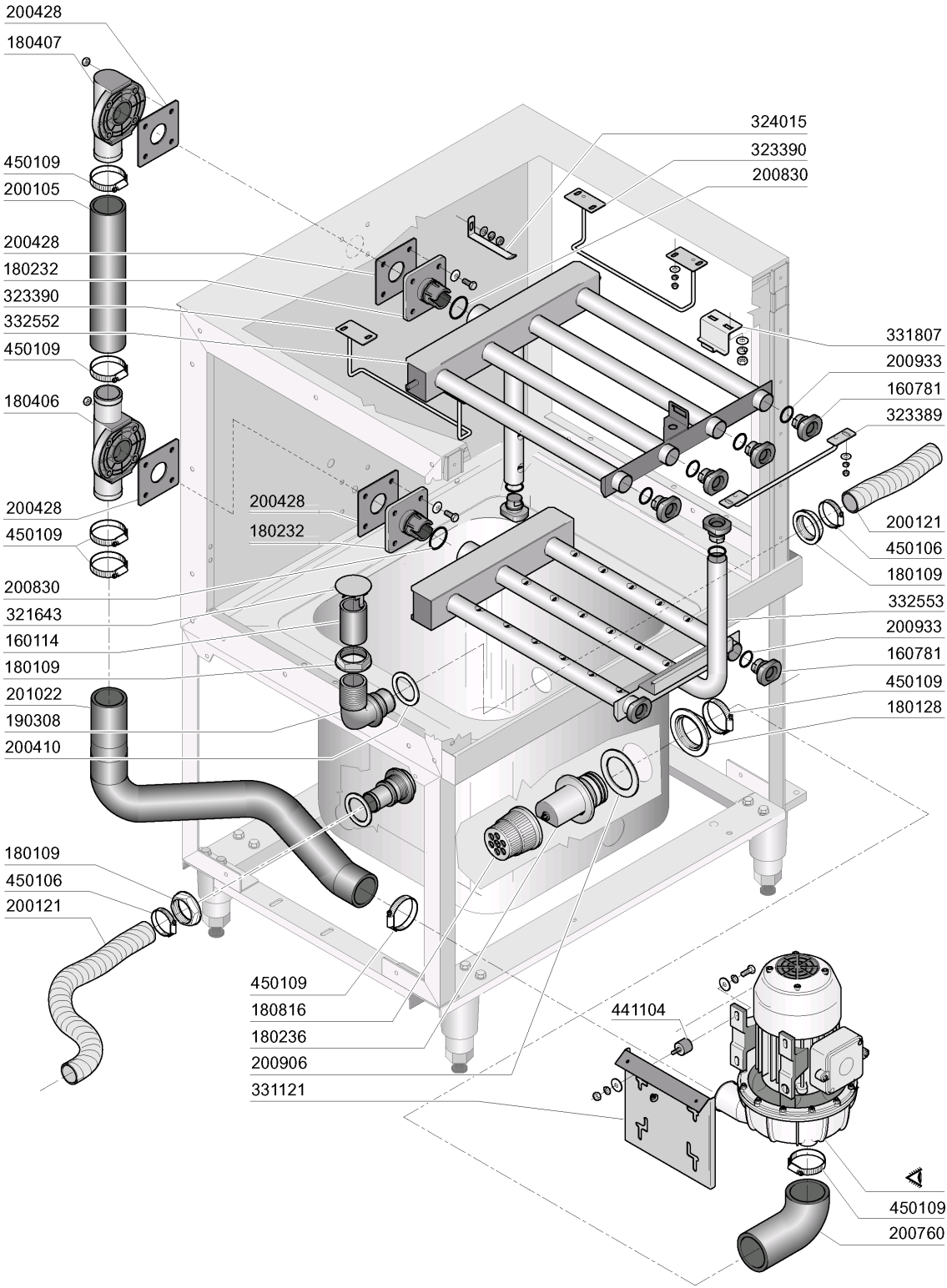


M.G. 10/06

8 - wash hood 900mm

| CODE   | DESCRIPTION                    |
|--------|--------------------------------|
| 120348 | MAGN.SWITCH (N.O.)             |
| 180630 | DOUBLE SKINNED DOOR RUNNER -AC |
| 190806 | MAGNET HOUSING                 |
| 190906 | CURTAIN IN/OUT 620X480         |
| 200478 | SELF-ADHESIVE GASKET 65X4      |
| 210404 | BLACK RUBBER FOOT S90 NE SE    |
| 210411 | RIGHT PLUG FOR ACR/AC HANDLE   |
| 210412 | LEFT PLUG FOR ACR/AC HANDLE    |
| 321057 | LOWER WASH ARM SUPPORT         |
| 321748 | GUIDE                          |
| 322925 | DOOR 900 ACR                   |
| 322970 | DOOR 900MM ACR NEW             |
| 323309 | PARASPRUZZI PER CAPOT 900      |
| 323477 | TRAVERSA SOST.VASCHE AC/ACR    |
| 330715 | UPPER BRACKET CURTAIN SNL-SE   |
| 331049 | 900MM DOOR HANDLE ACR          |
| 331116 | DOOR SECURITY HOOK             |
| 331755 | HOOK FOR DOOR SUPPORT          |
| 331760 | BRACKET                        |
| 332370 | PARASPRUZZI E SUPP.AC/ACR 2001 |
| 332377 | SQUADR.AGG.PANN.POST.AC/R/2001 |
| 340422 | SHAFT FOR CURTAIN AC-ACR       |
| 341016 | BRACKET FOR DOOR SECURITY HOOK |
| 351280 | INSUL.PANEL FOR DOOR 900 ACR   |
| 351290 | FRONT PANEL ACR                |
| 351943 | BACK PANEL 900                 |
| 411002 | PERMANENT MAGNET 24X12         |
| 620222 | COMPLETE ALUMINIUM LEGS        |

9 - wash column 600mm

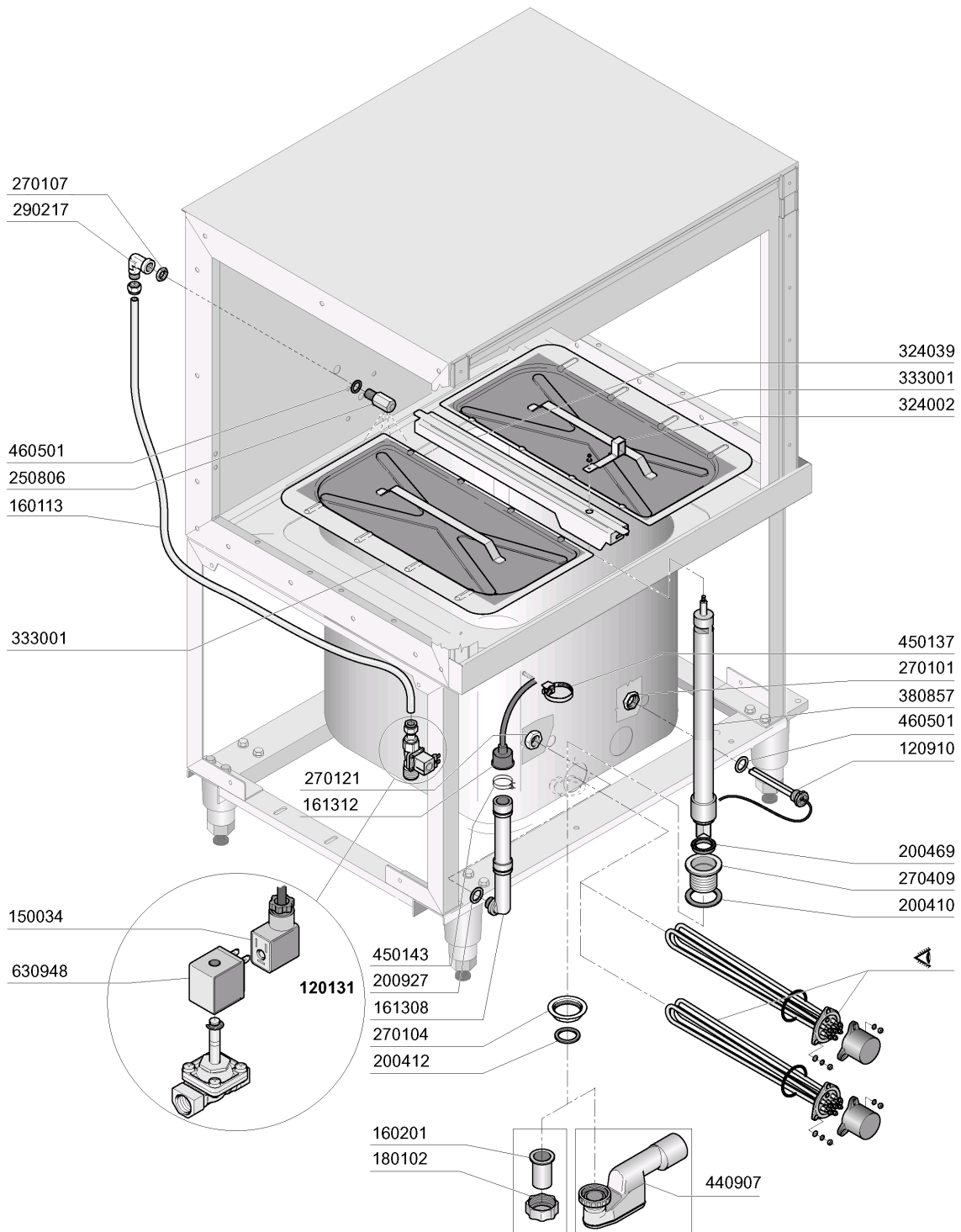


M.G. 01/08

9 - wash column 600mm

| CODE   | DESCRIPTION                    |
|--------|--------------------------------|
| 160114 | ADJUST.OVERFLOW-PIPE/TANKS S3Ø |
| 160781 | PLUG FOR COLLECTOR NEW AC      |
| 180109 | LOCK NUT 1 1/2"                |
| 180128 | RING NUT 65,4 C140 C85         |
| 180232 | WASH ARM FLANGE SNL            |
| 180236 | PUMP SUCTION FOR AC-ACR-C155   |
| 180406 | T-CONNECTOR F. WASHING S90-SNL |
| 180407 | ELBOW S90 S N L                |
| 180816 | STRAINER OF INLET PUMP AC-ACR  |
| 190308 | OVERFLOW CONNECTOR             |
| 200105 | RUBBER HOSE 50X60              |
| 200121 | RUBBER HOSE 45X55              |
| 200410 | DRAIN OUTL.WASH.1 1/2"65X47X2  |
| 200428 | GASKET 100X100X3 NEOTEN        |
| 200760 | SUCTION HOSE FOR ACR           |
| 200830 | O-RING 37,3X44,5X3,6           |
| 200906 | GASKET D.92X66X2               |
| 200933 | OR 24/32/4 FOR PLUG COLLECTOR  |
| 201022 | OUTLET HOSE AC91-AC101         |
| 321643 | SUPPORT                        |
| 323389 | BRACKET                        |
| 323390 | GUIDE                          |
| 324015 | SQUADRETTA SOST.COLL.SUP. ACS  |
| 331121 | FIXING PLATE FOR PUMP ACR      |
| 331807 | BRACKET                        |
| 332552 | UPPER 900 WASH ARM ACRS        |
| 332553 | LOWER 900 WASH ARM ACRS        |
| 441104 | VIBRATION-DAMPING FEET FOR ACR |
| 450106 | CLAMP FE ZN 32-44 H=12,2       |
| 450109 | CLAMP 50-65                    |

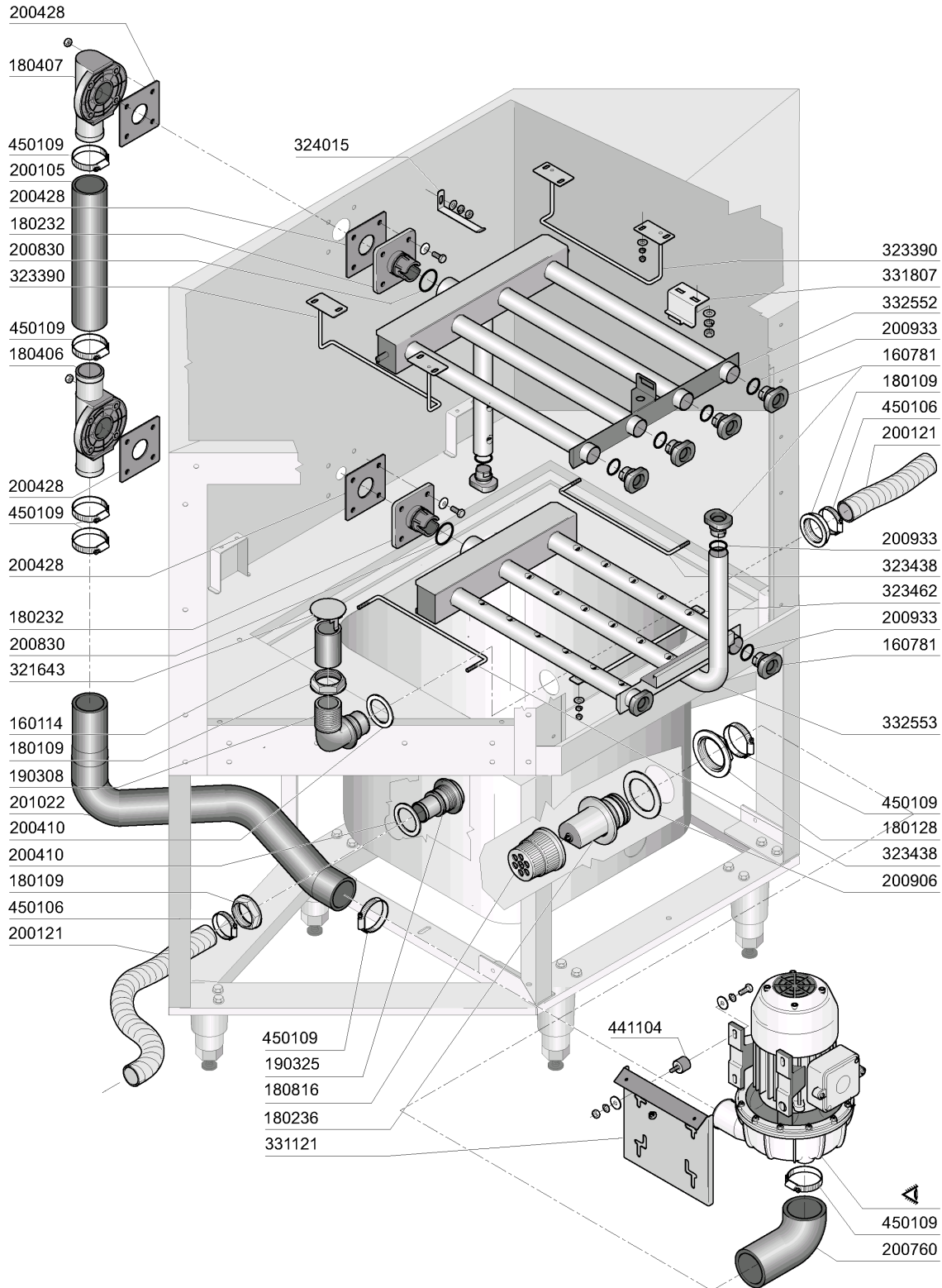




10 - wash tank 900mm

| CODE   | DESCRIPTION                    |
|--------|--------------------------------|
| 120131 | SOLE. L182Q31-ZB10A 1/2"24V    |
| 120910 | ELECTRONIC TOUCH PAD CONTROLS  |
| 150034 | CONNec.F.SOLEN.VALVE 122.09.N  |
| 160113 | TUBE IN POL. RETIC. 12 EST     |
| 160201 | ELBOW F.TANK INLET MOPLen      |
| 161308 | AIR CHAMBER C95-155            |
| 161312 | HOSE FOR PRESSURE SWITCH C95-1 |
| 180102 | DRAIN PIPE NUT 1"1/2 F45-55    |
| 200410 | DRAIN OUTL.WASH.1 1/2"65X47X2  |
| 200412 | GASKET DRAIN 11/2" 45X33X3     |
| 200469 | STAND PIPE O RING 45X35,5X7    |
| 200927 | GASKET FOR AIR TRAP            |
| 250806 | TANK FILL HOSE CLAMP - AC/ACR  |
| 270101 | HEXAGON LOCK NUT 1/2"          |
| 270104 | LOCK NUT 1" 1/2                |
| 270107 | BRASS LOCK NUT 3/8" FL803      |
| 270121 | NUT FOR AIR TRAP               |
| 270409 | DRAIN OUTLET AC-ACR            |
| 290217 | HOSE CLAMP ELBOW 12X3/8" TYPE  |
| 324002 | OVERFLOW PIPE LEVER ACS        |
| 324039 | FILTER GUIDE 900/1300 ACS      |
| 333001 | STRAINER 900 ACS               |
| 380857 | OVERFLOW PIPE FOR WASH TANK    |
| 440907 | SIPHON 1"1/2                   |
| 450137 | COLLAR CONNECTION WITH BASE 31 |
| 450143 | CLAMP D.39,7 X 37,7            |
| 460501 | GASKET 24X17X2                 |
| 630948 | COIL Z610A 24V 50/60-L180V01   |

11 - corner wash column

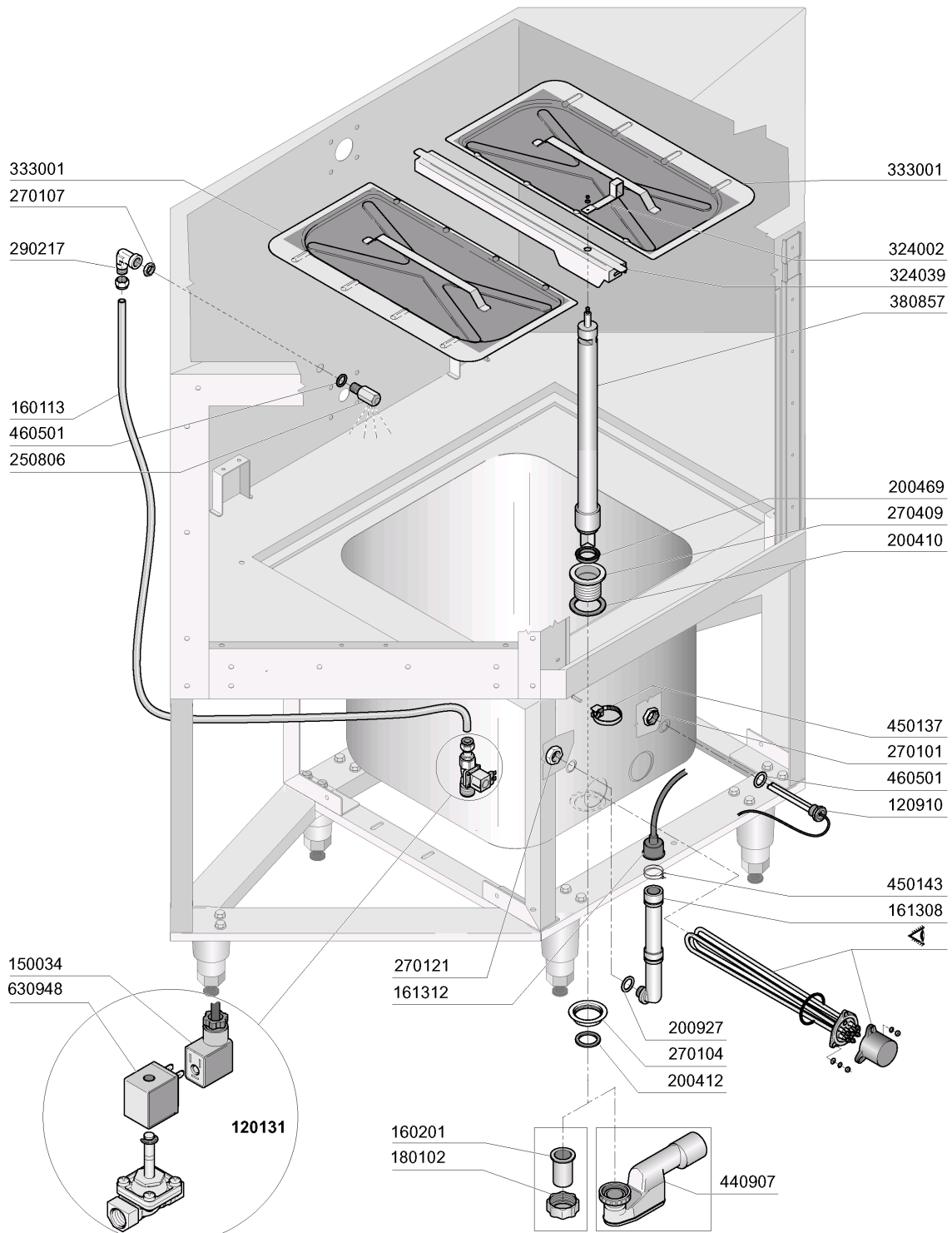


M.G. 11/06

## 11 - corner wash column

| CODE   | DESCRIPTION                    |
|--------|--------------------------------|
| 160114 | ADJUST.OVERFLOW-PIPE/TANKS S3Ø |
| 160781 | PLUG FOR COLLECTOR NEW AC      |
| 180109 | LOCK NUT 1 1/2"                |
| 180128 | RING NUT 65,4 C140 C85         |
| 180232 | WASH ARM FLANGE SNL            |
| 180236 | PUMP SUCTION FOR AC-ACR-C155   |
| 180406 | T-CONNECTOR F. WASHING S90-SNL |
| 180407 | ELBOW S90 S N L                |
| 180816 | STRAINER OF INLET PUMP AC-ACR  |
| 190308 | OVERFLOW CONNECTOR             |
| 190325 | OVERFLOW CONNECTOR             |
| 200105 | RUBBER HOSE 50X60              |
| 200121 | RUBBER HOSE 45X55              |
| 200410 | DRAIN OUTL.WASH.1 1/2"65X47X2  |
| 200428 | GASKET 100X100X3 NEOTEN        |
| 200760 | SUCTION HOSE FOR ACR           |
| 200830 | O-RING 37,3X44,5X3,6           |
| 200906 | GASKET D.92X66X2               |
| 200933 | OR 24/32/4 FOR PLUG COLLECTOR  |
| 201022 | OUTLET HOSE AC91-AC101         |
| 321643 | SUPPORT                        |
| 323390 | GUIDE                          |
| 323438 | GUIDE                          |
| 323462 | SUPPORT                        |
| 324015 | SQUADRETTA SOST.COLL.SUP. ACS  |
| 331121 | FIXING PLATE FOR PUMP ACR      |
| 331807 | BRACKET                        |
| 332552 | UPPER 900 WASH ARM ACRS        |
| 332553 | LOWER 900 WASH ARM ACRS        |
| 441104 | VIBRATION-DAMPING FEET FOR ACR |
| 450106 | CLAMP FE ZN 32-44 H=12,2       |
| 450109 | CLAMP 50-65                    |

12 - corner wash tank

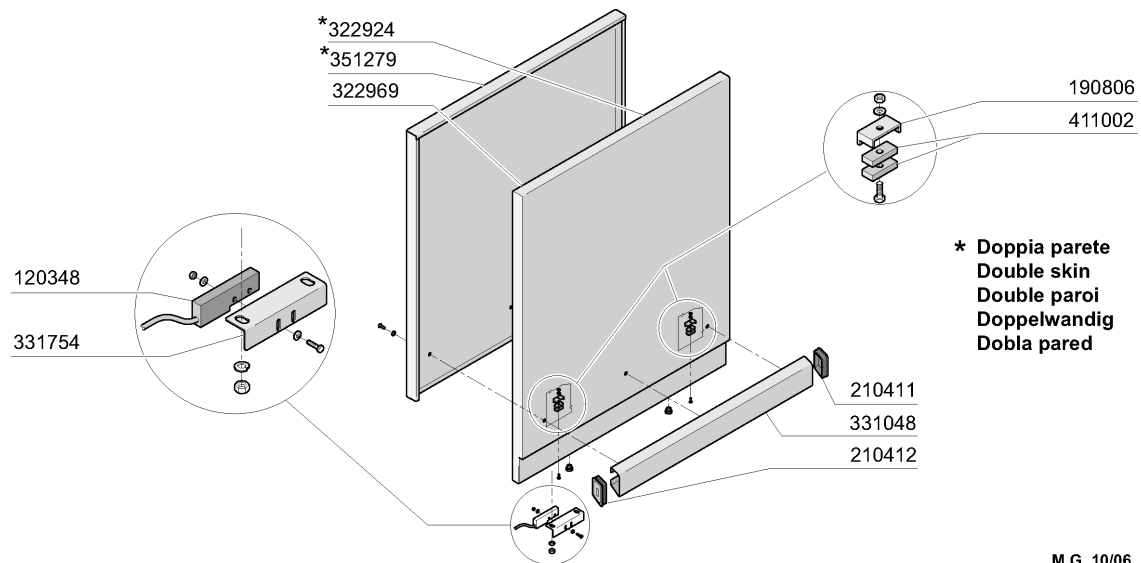
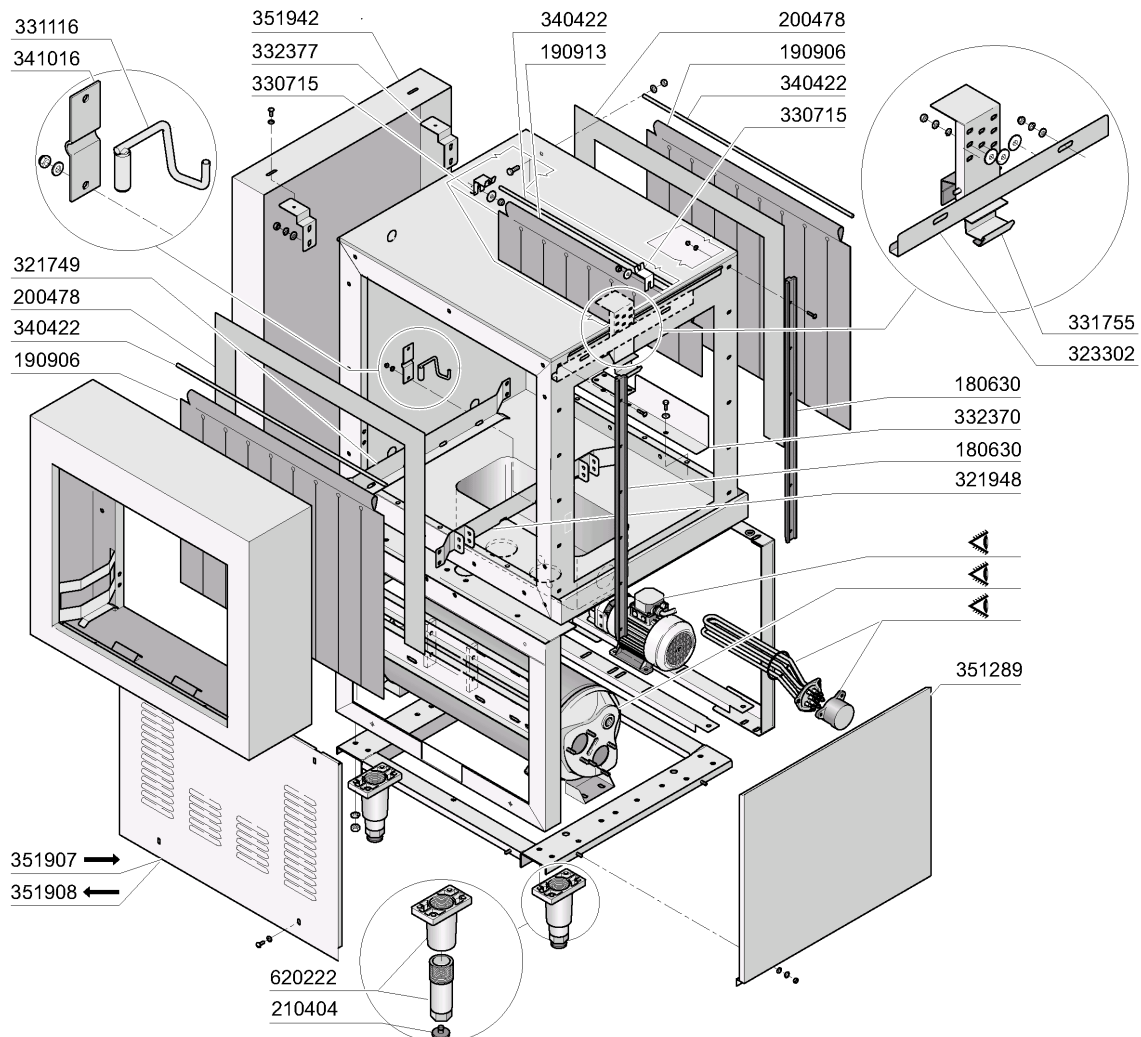


M.G. 01/08

12 - corner wash tank

| CODE   | DESCRIPTION                    |
|--------|--------------------------------|
| 120131 | SOLE. L182Q31-ZB10A 1/2"24V    |
| 120910 | ELECTRONIC TOUCH PAD CONTROLS  |
| 150034 | CONNec.F.SOLEN.VALVE 122.09.N  |
| 160113 | TUBE IN POL. RETIC. 12 EST     |
| 160201 | ELBOW F.TANK INLET MOPLen      |
| 161308 | AIR CHAMBER C95-155            |
| 161312 | HOSE FOR PRESSURE SWITCH C95-1 |
| 180102 | DRAIN PIPE NUT 1"1/2 F45-55    |
| 200410 | DRAIN OUTL.WASH.1 1/2"65X47X2  |
| 200412 | GASKET DRAIN 11/2" 45X33X3     |
| 200469 | STAND PIPE O RING 45X35,5X7    |
| 200927 | GASKET FOR AIR TRAP            |
| 250806 | TANK FILL HOSE CLAMP - AC/ACR  |
| 270101 | HEXAGON LOCK NUT 1/2"          |
| 270104 | LOCK NUT 1" 1/2                |
| 270107 | BRASS LOCK NUT 3/8" FL803      |
| 270121 | NUT FOR AIR TRAP               |
| 270409 | DRAIN OUTLET AC-ACR            |
| 290217 | HOSE CLAMP ELBOW 12X3/8" TYPE  |
| 324002 | OVERFLOW PIPE LEVER ACS        |
| 324039 | FILTER GUIDE 900/1300 ACS      |
| 333001 | STRAINER 900 ACS               |
| 380857 | OVERFLOW PIPE FOR WASH TANK    |
| 440907 | SIPHON 1"1/2                   |
| 450137 | COLLAR CONNECTION WITH BASE 31 |
| 450143 | CLAMP D.39,7 X 37,7            |
| 460501 | GASKET 24X17X2                 |
| 630948 | COIL Z610A 24V 50/60-L180V01   |

# 13 - ecorinse hood

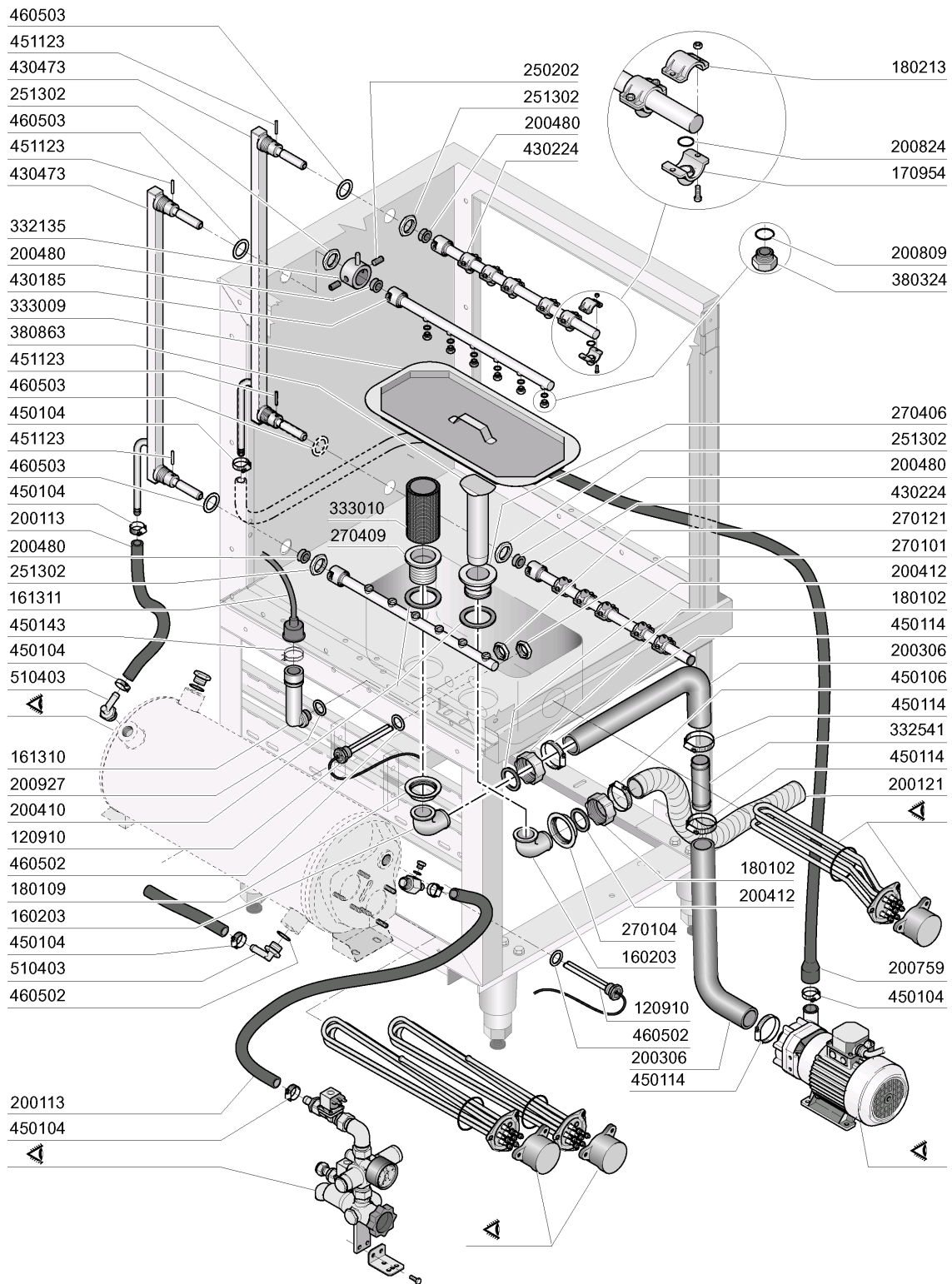


M.G. 10/06

| CODE   | DESCRIPTION                    |
|--------|--------------------------------|
| 120348 | MAGN.SWITCH (N.O.)             |
| 180630 | DOUBLE SKINNED DOOR RUNNER -AC |
| 190806 | MAGNET HOUSING                 |
| 190906 | CURTAIN IN/OUT 620X480         |
| 190913 | CURTAIN FOR ECORINSE SE-620X27 |
| 200478 | SELF-ADHESIVE GASKET 65X4      |
| 210404 | BLACK RUBBER FOOT S90 NE SE    |
| 210411 | RIGHT PLUG FOR ACR/AC HANDLE   |
| 210412 | LEFT PLUG FOR ACR/AC HANDLE    |
| 321749 | GUIDE                          |
| 321948 | GUIDE                          |
| 322924 | DOOR 600 ACR                   |
| 322969 | DOOR 600 ACR NEW               |
| 323302 | BRACKET                        |
| 330715 | UPPER BRACKET CURTAIN SNL-SE   |
| 331048 | 600MM DOOR HANDLE              |
| 331116 | DOOR SECURITY HOOK             |
| 331754 | DOOR MICRO SWITCH BRACKET FOR  |
| 331755 | HOOK FOR DOOR SUPPORT          |
| 332370 | PARASPRUZZI E SUPP.AC/ACR 2001 |
| 332377 | SQUADR.AGG.PANN.POST.AC/R/2001 |
| 340422 | SHAFT FOR CURTAIN AC-ACR       |
| 341016 | BRACKET FOR DOOR SECURITY HOOK |
| 351279 | INSUL.PANEL FOR DOOR 600 ACR   |
| 351289 | BACK PANEL ACR                 |
| 351907 | PANN.LAT.LE SX AC COIBENTATE   |
| 351908 | PANN.LAT.LE DX AC COIBENTATE   |
| 351942 | BACK PANEL 600                 |
| 411002 | PERMANENT MAGNET 24X12         |
| 620222 | COMPLETE ALUMINIUM LEGS        |



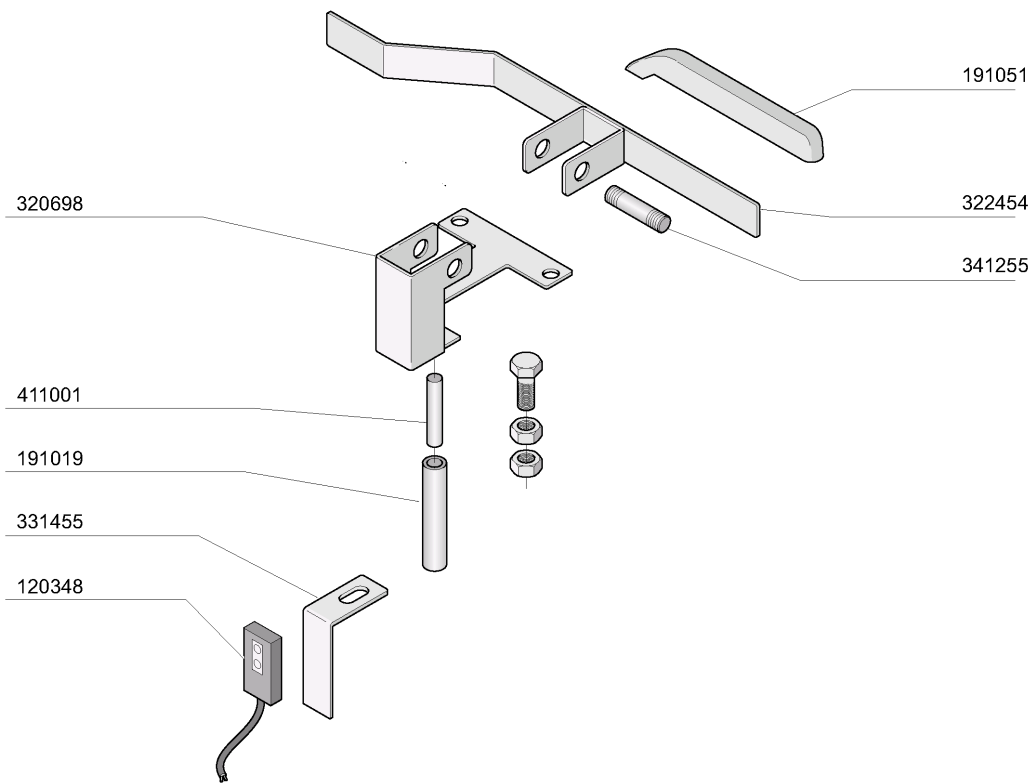
14 - ecorinse column-tank



M.G. 01/08

14 - ecorinse column-tank

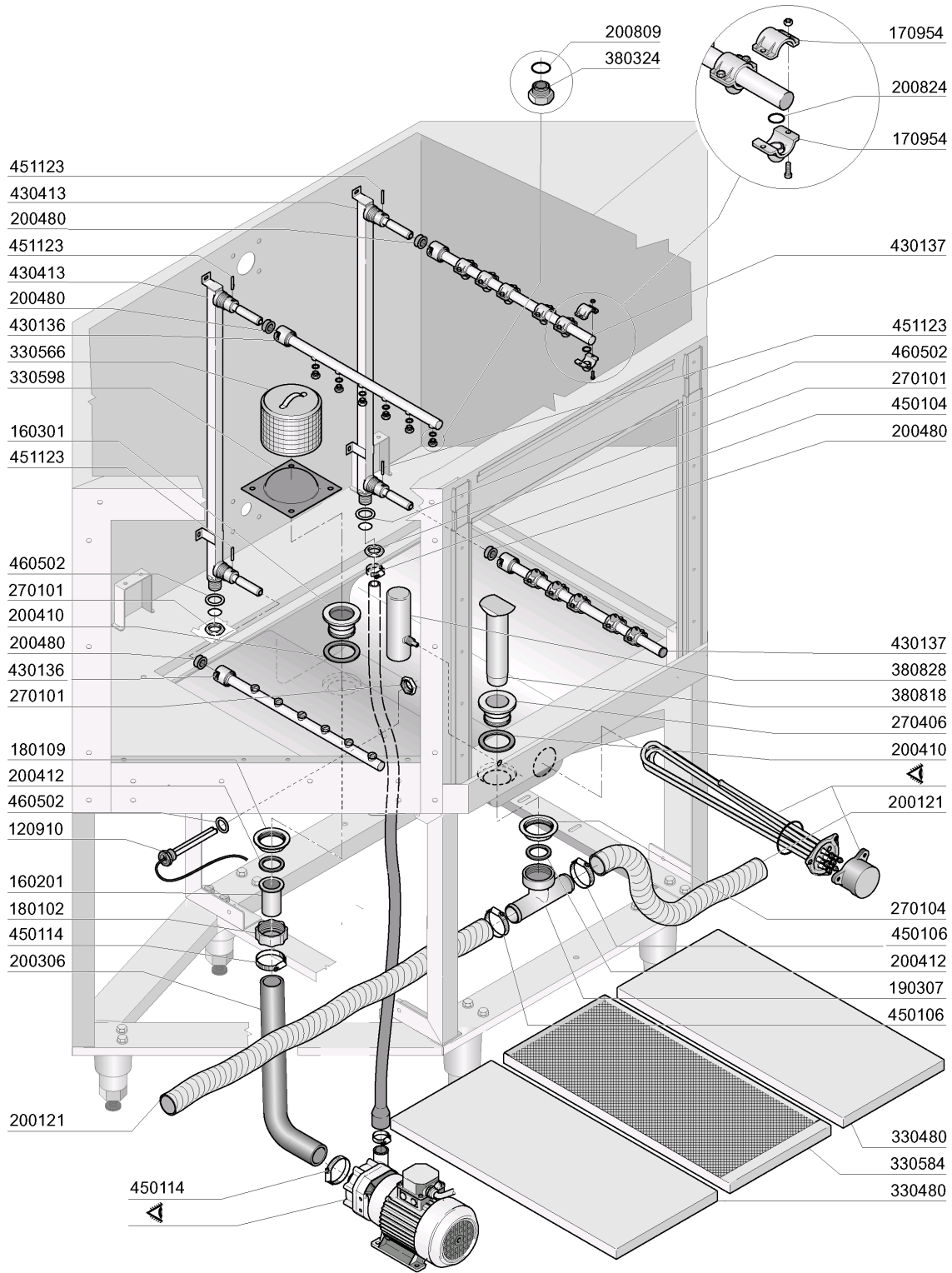
| CODE   | DESCRIPTION                    |
|--------|--------------------------------|
| 120910 | ELECTRONIC TOUCH PAD CONTROLS  |
| 160203 | ELBOW 1"1/2 N-S-F-C /DRAIN     |
| 161310 | AIR CHAMBER FOR GLASSWASHERS B |
| 161311 | HOSE FOR AIR CHAMBER BC-BR-AC9 |
| 170954 | JET FOR ECORINSE ARM           |
| 180102 | DRAIN PIPE NUT 1"1/2 F45-55    |
| 180109 | LOCK NUT 1 1/2"                |
| 180213 | FLANGE F.JET LOCKING F2-C34    |
| 200113 | RUBBER HOSE 12 X 22            |
| 200121 | RUBBER HOSE 45X55              |
| 200306 | INLET HOSE 42X52 ECORINSE-DRAI |
| 200410 | DRAIN OUTL.WASH.1 1/2"65X47X2  |
| 200412 | GASKET DRAIN 11/2" 45X33X3     |
| 200480 | GASKET F. RINSE CONNECT.       |
| 200759 | DELIVERY HOSE FOR ECORINSE AC- |
| 200809 | OR GASKET 1,78X8,73X12,29      |
| 200824 | O-RING 1,78X12,42X15,98        |
| 200927 | GASKET FOR AIR TRAP            |
| 250202 | STAINL.ST GRUB 5X8 UNI 5927    |
| 251302 | S/S LOCK NUT 3/4" AC-ACR       |
| 270101 | HEXAGON LOCK NUT 1/2"          |
| 270104 | LOCK NUT 1" 1/2                |
| 270121 | NUT FOR AIR TRAP               |
| 270406 | ECORINSE DRAIN OUTLET          |
| 270409 | DRAIN OUTLET AC-ACR            |
| 332135 | RINSE ARM BUSH                 |
| 332541 | HOSE                           |
| 333009 | ECORINSE FILTER ACRS           |
| 333010 | SUCTION STRAINER ECORINSE ACRS |
| 380324 | RINSE JETS 52,5 80Ø OV1/8"     |
| 380863 | OVERFLOW PIPE ECPRINSE ACRS    |
| 430185 | RINSE ARM                      |
| 430224 | PRERINSE ARM                   |
| 430473 | RINSE COLUMN ACRS              |
| 450104 | CLAMP FE ZN H=12,5 15-24       |
| 450106 | CLAMP FE ZN 32-44 H=12,2       |
| 450114 | CLAMP FE ZN.22-32 H=12,2       |
| 450143 | CLAMP D.39,7 X 37,7            |
| 451123 | ELASTIC PIN 4X16               |
| 460502 | GASKET 30X21X2                 |
| 460503 | SEALING WASHER 38X27X2(3/4)    |
| 510403 | CONNECT.HOSE 90Ø1/2"X12        |



**15 - economizer**

| <b>CODE</b> | <b>DESCRIPTION</b>             |
|-------------|--------------------------------|
| 120348      | MAGN.SWITCH (N.O.)             |
| 191019      | MAGNET HOUSING S90 MOPL.-S.N.L |
| 191051      | SLIDING PAD SE SNL ECONOMIZER  |
| 320698      | LEVER FOR ECONOMIZER SE SNL    |
| 322454      | RACK GUIDE FOR AC95            |
| 331455      | BRACKET FOR RINSE MICROSWITCH  |
| 341255      | PIN FOR ECONOMIZER SE SNL      |
| 411001      | PERMANENT MAGNET 8X40          |

# 16 - corner ecorinse assembly

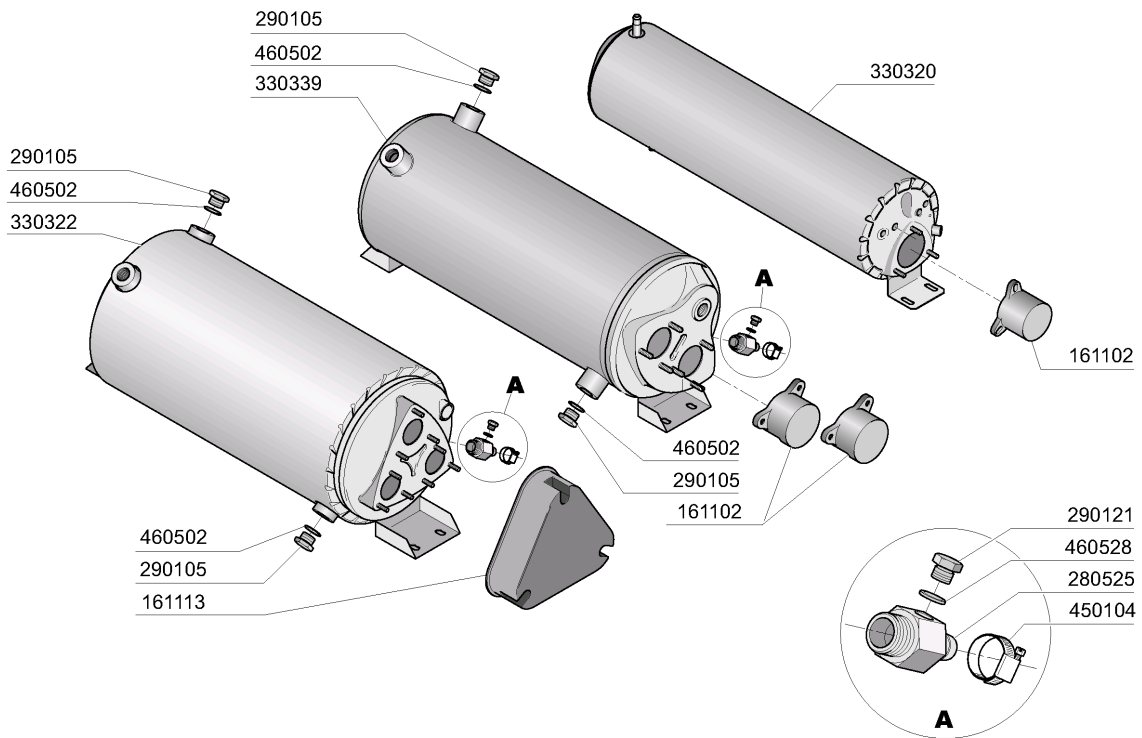
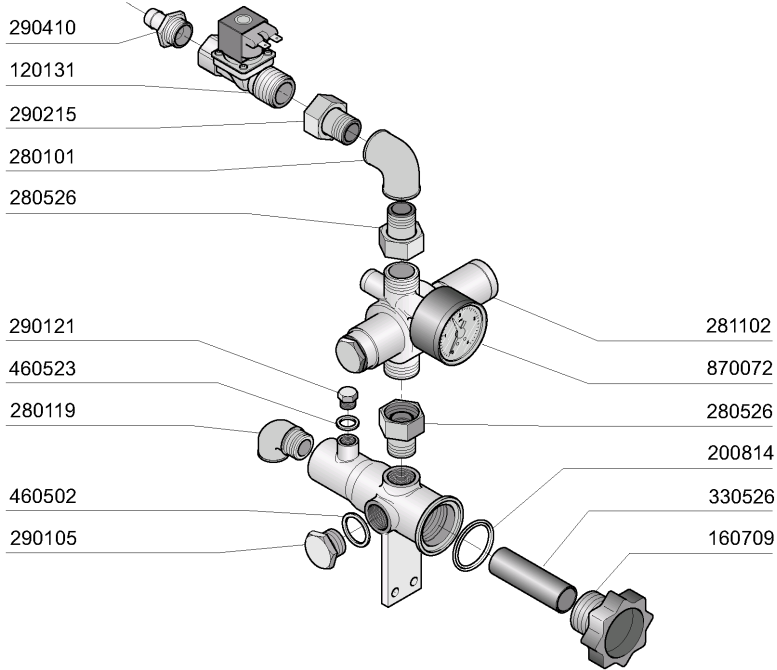


M.G. 01/08

16 - corner ecorinse assembly

| CODE   | DESCRIPTION                    |
|--------|--------------------------------|
| 120910 | ELECTRONIC TOUCH PAD CONTROLS  |
| 160201 | ELBOW F.TANK INLET MOPLN       |
| 160301 | DRAIN OUTLET 1"1/2 C-S-N       |
| 170954 | JET FOR ECORINSE ARM           |
| 180102 | DRAIN PIPE NUT 1"1/2 F45-55    |
| 180109 | LOCK NUT 1 1/2"                |
| 190307 | SPECIAL TEE GRAU MPL.          |
| 200121 | RUBBER HOSE 45X55              |
| 200306 | INLET HOSE 42X52 ECORINSE-DRAI |
| 200410 | DRAIN OUTL.WASH.1 1/2"65X47X2  |
| 200412 | GASKET DRAIN 11/2" 45X33X3     |
| 200480 | GASKET F. RINSE CONNECT.       |
| 200809 | OR GASKET 1,78X8,73X12,29      |
| 200824 | O-RING 1,78X12,42X15,98        |
| 270101 | HEXAGON LOCK NUT 1/2"          |
| 270104 | LOCK NUT 1" 1/2                |
| 270406 | ECORINSE DRAIN OUTLET          |
| 330480 | SIDE PANEL                     |
| 330566 | FILTER 110 FOR ECORINSE TANK   |
| 330584 | WASH FILTER ACR                |
| 330598 | ECORINSE FILTER                |
| 380324 | RINSE JETS 52,5 80Ø OV1/8"     |
| 380818 | OVERFLOW TUBE FOR ECORINSE SE  |
| 380828 | ECORINSE AIR CHAMBER AC-ACR ST |
| 430136 | RINSE ARM S-SE-SE/1            |
| 430137 | ECORINSE ARM SE-SE/1           |
| 430413 | RINSE COLUMN SE-ACR            |
| 450104 | CLAMP FE ZN H=12,5 15-24       |
| 450106 | CLAMP FE ZN 32-44 H=12,2       |
| 450114 | CLAMP FE ZN.22-32 H=12,2       |
| 451123 | ELASTIC PIN 4X16               |
| 460502 | GASKET 30X21X2                 |

17 - solenoid valve and booster

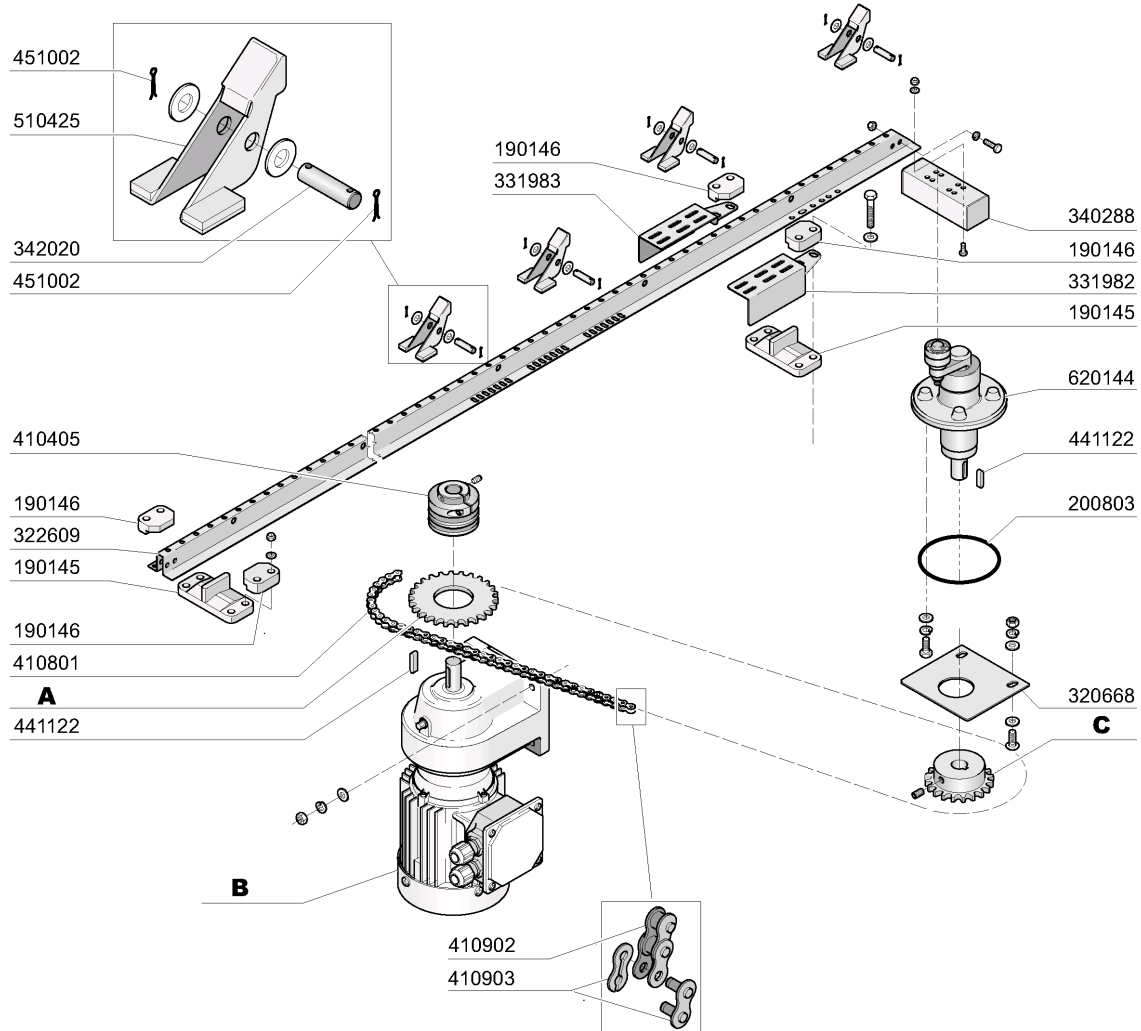


M.G. 11/06

17 - solenoid valve and booster

| CODE   | DESCRIPTION                    |
|--------|--------------------------------|
| 120131 | SOLEN. L182Q31-ZB10A 1/2"24V   |
| 160709 | KNOB OF MANIFOLD F. SOLEN. VAL |
| 161102 | ELEMENT COVER MOPL.            |
| 161113 | ELMENT COVER BLACK             |
| 200814 | O-RING 34,52X41,58X3,53        |
| 280101 | CRANK F.F 1/2"                 |
| 280119 | ELL MF 3/4"                    |
| 280525 | NIPPLE                         |
| 280526 | CONNECTION 1/2-3/4"            |
| 281102 | 1/2" ADJ VALVE C/W GAUGE TYPE  |
| 290105 | BRASS-TE-PLUG 1/2"             |
| 290121 | BRASS PLUG 1/8"                |
| 290215 | 1/2"BSP M/F UNION BRASS        |
| 290410 | NIPPLE 1/2"                    |
| 330320 | INSULATED BOILER D.1 164X650 S |
| 330322 | INSULATED BOILER D.230 N/S     |
| 330339 | BOILER D.220X640 F.TWO HEAT.EL |
| 330526 | FILTERS 22X28 SOLENOID V.MANIF |
| 450104 | CLAMP FE ZN H=12,5 15-24       |
| 460502 | GASKET 30X21X2                 |
| 460523 | GASKET 10X18X2                 |
| 460528 | GASKET 15X10X2 FOR RINSE NIPPE |
| 870072 | PRESSURE CAUGE 0-4 ATM         |

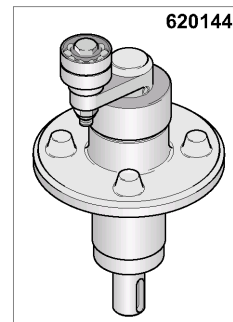
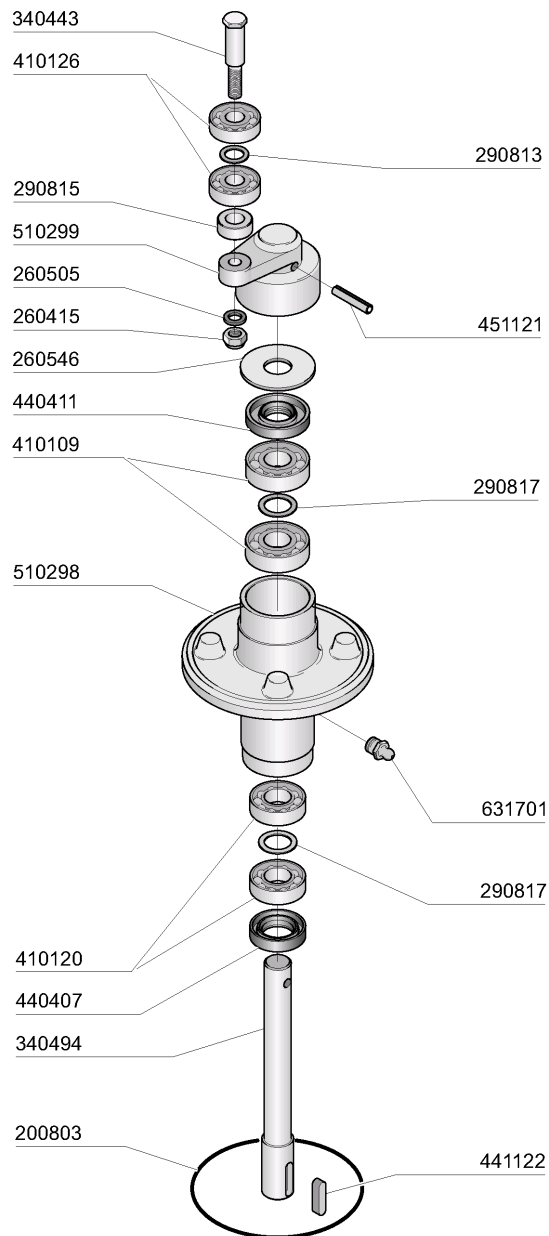




|                 | <b>A</b>            | <b>B</b>        | <b>C</b>            |
|-----------------|---------------------|-----------------|---------------------|
| <b>ACRS 145</b> | 410301 - Z28 (50Hz) | 100217 - (50Hz) | 410242 - Z23 (50Hz) |
|                 | 410301 - Z28 (60Hz) | 100232 - (60Hz) | 410243 - Z26 (60Hz) |
| <b>ACRS 205</b> | 410301 - Z28 (50Hz) | 100217 - (50Hz) | 410240 - Z17 (50Hz) |
|                 | 410301 - Z28 (60Hz) | 100232 - (60Hz) | 410239 - Z20 (60Hz) |
| <b>ACRS 225</b> | 410307 - Z32 (50Hz) | 100217 - (50Hz) | 410240 - Z17 (50Hz) |
|                 | 410307 - Z32 (60Hz) | 100232 - (60Hz) | 410239 - Z20 (60Hz) |
| <b>ACRS 245</b> | 410307 - Z32 (50Hz) | 100217 - (50Hz) | 410227 - Z16 (50Hz) |
|                 | 410307 - Z32 (60Hz) | 100232 - (60Hz) | 410288 - Z19 (60Hz) |
| <b>ACRS 260</b> | 410307 - Z32 (50Hz) | 100262 - (50Hz) | 410231 - Z14 (50Hz) |
|                 | 410307 - Z32 (60Hz) | 100232 - (60Hz) | 410240 - Z17 (60Hz) |
| <b>ACRS 265</b> | 410307 - Z32 (50Hz) | 100262 - (50Hz) | 410279 - Z13 (50Hz) |
|                 | 410307 - Z32 (60Hz) | 100232 - (60Hz) | 410227 - Z16 (60Hz) |
| <b>ACRS 305</b> | 410307 - Z32 (50Hz) | 100262 - (50Hz) | 410273 - Z12 (50Hz) |
|                 | 410307 - Z32 (60Hz) | 100232 - (60Hz) | 410231 - Z14 (60Hz) |

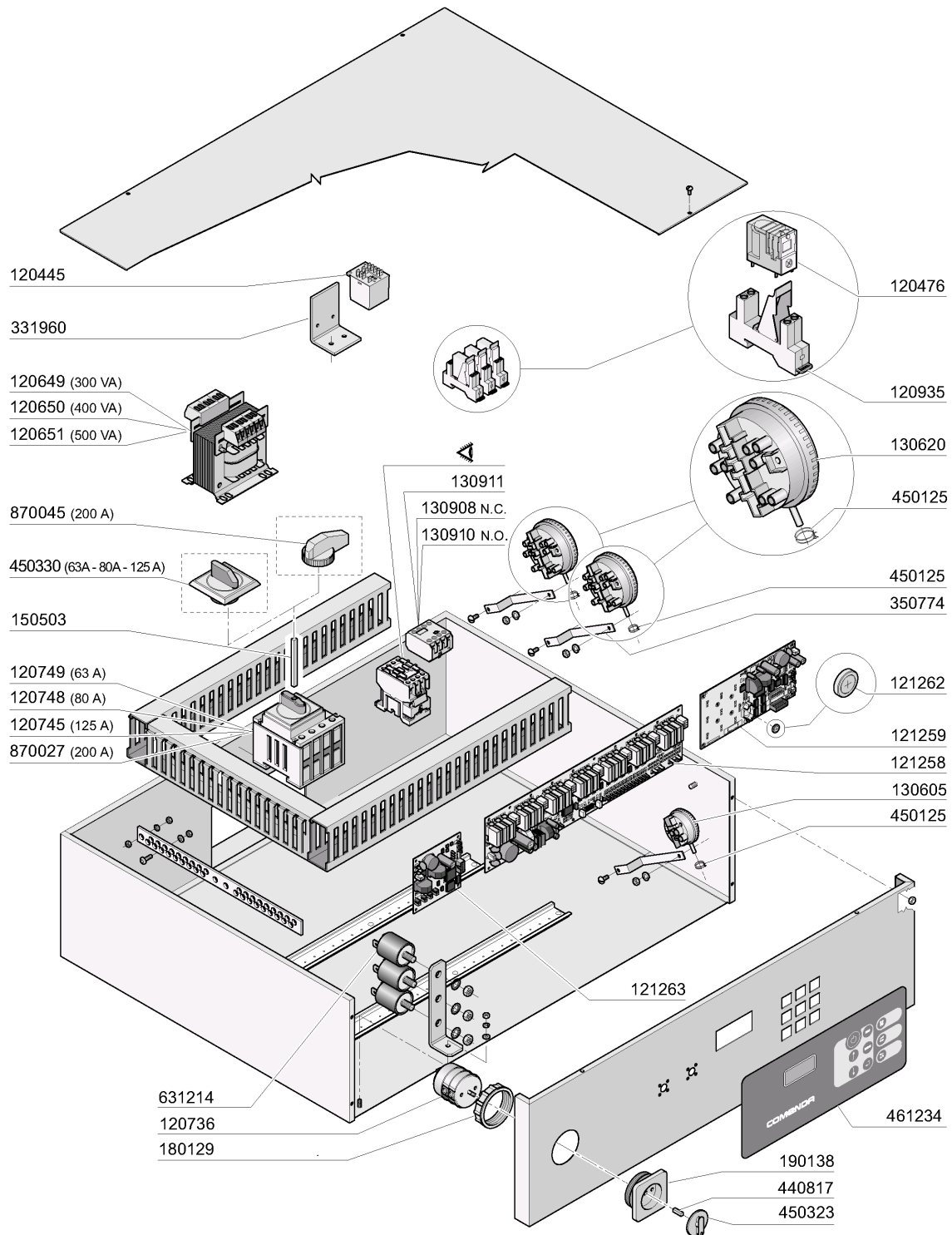
## 18 - Drive unit

| CODE   | DESCRIPTION                    |
|--------|--------------------------------|
| 100217 | DRIVE MOTOR KW 0,11/0,15 380V  |
| 100232 | DRIVE MOTOR 0,11-0,15KW 380-60 |
| 100262 | DRIVE MOTOR KW 0,18-0,3 380V   |
| 190145 | SUPPORT F.PAWL BAR GUIDE AC    |
| 190146 | CLAMPING PIECES AC             |
| 200803 | OR GASKET 3,53X98,02X105,08    |
| 320668 | PLATE                          |
| 322609 | PAWL BAR GUIDE                 |
| 331982 | RIGHT COVER                    |
| 331983 | LEFT COVER                     |
| 340288 | CHANNEL F.DRIVE BEARING S3Ø-SE |
| 342020 | PIN                            |
| 410227 | TURNED PINION Z16-1/2"-D.20    |
| 410231 | TURNED PINION Z14 1/2"-D.20    |
| 410239 | TURNED PINION Z20-1/2"-D.20    |
| 410240 | TURNED PINION Z17-1/2"-D.20    |
| 410242 | TURNED PINION Z23-1/2"-D.20    |
| 410243 | TURNED PINION Z26-1/2"-D.20    |
| 410273 | PINION Z12 -1/2-D.20           |
| 410279 | PINION Z13-1/2"-D.20           |
| 410288 | TURNED PINION Z19-1/2"-D.20    |
| 410301 | CROWN DISCS 28T PITCH 1/2"     |
| 410307 | CROWN DISCS 1/2" PITCH         |
| 410405 | TORQUE LIMITER D.25 NTP SE/1   |
| 410801 | DRIVE CHAIN 1/2" N-S           |
| 410902 | FALSE CHAIN LINK 1/2"          |
| 410903 | CHAIN JOINT 1/2"               |
| 441122 | DRIVE SHAFT KEY 6X6X25 UNI 660 |
| 451002 | COTTER PIN STAINL.ST. D2X12    |
| 510425 | PAWL LOAD. AC/ACR              |
| 620144 | DRIVE ASSEMBLY                 |



## 19 - drive unit

| CODE   | DESCRIPTION                    |
|--------|--------------------------------|
| 200803 | OR GASKET 3,53X98,02X105,08    |
| 260415 | STAINLESS STEEL SELF-LOCKING N |
| 260505 | STAINL.STEEL FLAT WASHER D8    |
| 260546 | SLIDING WASHER STAINLESS STEEL |
| 290813 | PACKING PIECES BRASS S-F2      |
| 290815 | DISTANCE PIECE S3Ø BRASS       |
| 290817 | BRASS DISTANCE PIECE 24X14     |
| 340443 | CRANK SHOULDER PIN             |
| 340494 | DRIVE SHAFT S 3Ø               |
| 410109 | BEARINGS 17X40X12 6203         |
| 410120 | BALL BEARING 17X35X10          |
| 410126 | BEARING 6201-2RS Z15           |
| 440407 | SEAL MIM 20X35X7               |
| 440411 | SEAL 17X40X7                   |
| 441122 | DRIVE SHAFT KEY 6X6X25 UNI 660 |
| 451121 | ELAST.ROLL PINS 6X30           |
| 510298 | DRIVE HOUSING S 3Ø             |
| 510299 | NICKELPLATED BRASS DRIVE CRANK |
| 620144 | DRIVE ASSEMBLY                 |
| 631701 | GREASE NIPPLE 9003             |



M.G. 01/07

20 - Control Box

| CODE   | DESCRIPTION                    |
|--------|--------------------------------|
| 120445 | AUXILIARY RELAY S.B2/3 24V     |
| 120476 | RELAY 16A 24V                  |
| 120649 | TRANSFORMER 300VA225-240-380-4 |
| 120650 | TRANSFORMER 400VA225-240-380-4 |
| 120651 | TRANSFORMER 500VA225-240-380-4 |
| 120736 | 4 POLE MAIN SWITCH 25A 500V    |
| 120745 | MAIN SWITCH 4 POLE 125A        |
| 120748 | MAINSWITCH 80A 4P              |
| 120749 | MAINSWITCH 63A 4P              |
| 120935 | SUPPORT                        |
| 121258 | MAIN PCB E3                    |
| 121259 | KEYBOARD PCB                   |
| 121262 | LITHIUM BATTERY 3V.CR2450N     |
| 121263 | HPS BOARD                      |
| 130605 | PRESSURE SWITCH 50-30 1 LEVEL  |
| 130620 | PRESSURE SWITCH 3 LEVEL 50-30/ |
| 130908 | AUXILIARY CONTACT LA1 DO2 A65  |
| 130910 | CONTACT LA1 D20 A65            |
| 130911 | CONTACT LA1 D40 A65            |
| 150503 | EXTENTION FOR MAIN SWITCH      |
| 180129 | NUT FOR MAIN SWITCH SUPPORT    |
| 190138 | SUPPORT                        |
| 331960 | BRACKET                        |
| 350774 | BRACKET                        |
| 440817 | SNAP RING LSCB/1853/17/00      |
| 450125 | ELASTIC CLAMP D. 10,4X9,8      |
| 450323 | KNOB FOR BC-BR-C95-C155        |
| 450330 | KNOB FOR MAIN SWITCH           |
| 461234 | PLATE "ELECTRONIC 3"           |
| 631214 | ANTI-NOISE FILTER 4011135007 3 |
| 870027 | MAIN SWITCH 200A               |
| 870045 | SWITCH FOR MAIN SWITCH 200A    |

21 - electrical parts for pumps

| 220/240 V |    |  |    |   | 380/415 V |  |    |   |  |
|-----------|----|--|----|---|-----------|--|----|---|--|
| KW        | A  | Fusibili<br>Fusible<br>Fuse<br>Schmelzsicherung<br>Fusible | A  | Teleruttore<br>Contacteur<br>Contactor<br>Schalterschütz<br>Contactor | A         | Fusibili<br>Fusible<br>Fuse<br>Schmelzsicherung<br>Fusible | A  | Teleruttore<br>Contacteur<br>Contactor<br>Schalterschütz<br>Contactor |  |
| 3         | 12 | 130246   | 9  | 120428  | 8         | 130245   | 9  | 120428  |  |
| 4         | 12 | 130246   | 9  | 120428  | 8         | 130245   | 9  | 120428  |  |
| 4,2       | 12 | 130246   | 9  | 120428  | 8         | 130245   | 9  | 120428  |  |
| 5         | 16 | 130247   | 12 | 120429  | 12        | 130246   | 9  | 120428  |  |
| 6         | 20 | 130248   | 12 | 120429  | 12        | 130246   | 9  | 120428  |  |
| 8         | 32 | 130237   | 25 | 120437  | 16        | 130247   | 12 | 120429  |  |
| 9         | 32 | 130237   | 25 | 120437  | 16        | 130247   | 16 | 120430  |  |
| 10        | 32 | 130237   | 25 | 120437  | 20        | 130248   | 16 | 120430  |  |
| 12        | 40 | 130238   | 40 | 120431  | 25        | 130236   | 16 | 120430  |  |
| 12,5      | 40 | 130238   | 40 | 120431  | 25        | 130236   | 25 | 120437  |  |
| 14        | 40 | 130238   | 40 | 120431  | 32        | 130237   | 25 | 120437  |  |
| 15        | 50 | 130257   | 40 | 120431  | 32        | 130237   | 25 | 120437  |  |
| 16        | 50 | 130257   | 40 | 120431  | 32        | 130237   | 25 | 120437  |  |
| 17        | 50 | 130257   | 40 | 120431  | 32        | 130237   | 40 | 120431  |  |
| 18        | 63 | 130239   | 63 | 120431  | 32        | 130237   | 40 | 120431  |  |
| 20        | 63 | 130239   | 63 | 120433  | 40        | 130238   | 40 | 120431  |  |
| 21        | 63 | 130239   | 63 | 120433  | 40        | 130238   | 40 | 120431  |  |
| 22        | 63 | 130239   | 63 | 120433  | 40        | 130238   | 40 | 120431  |  |
| 23        | 80 | 130240   | 63 | 120433  | 40        | 130238   | 40 | 120431  |  |
| 24        | 80 | 130240   | 63 | 120433  | 50        | 130257   | 40 | 120431  |  |
| 25        | 80 | 130240   | 63 | 120433  | 50        | 130257   | 40 | 120431  |  |
| 26        | 80 | 130240   | 80 | 120441  | 50        | 130257   | 40 | 120431  |  |
| 27        | 80 | 130240   | 80 | 120441  | 50        | 130257   | 40 | 120431  |  |
| 28        | 80 | 130240   | 80 | 120441  | 50        | 130257   | 40 | 120431  |  |
| 29        | 80 | 130240   | 80 | 120441  | 50        | 130257   | 40 | 120431  |  |
| 30        | 80 | 130240   | 80 | 120441  | 50        | 130257   | 40 | 120431  |  |

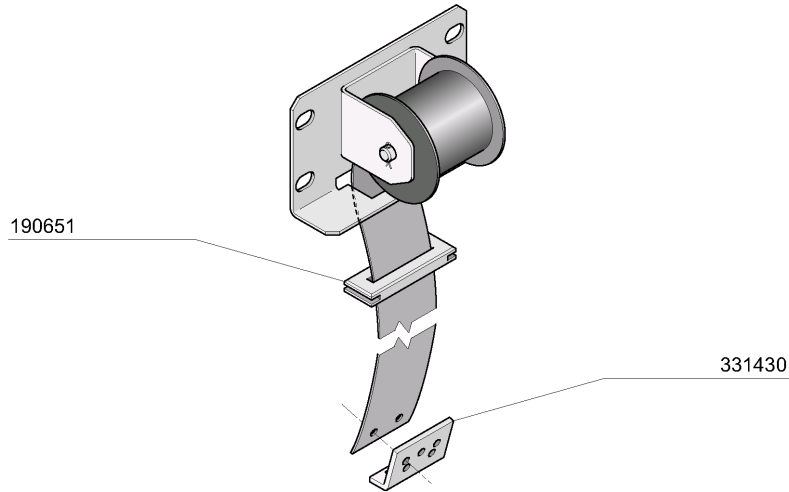
| Asciugatura - Sechage - Dryer - Trocknung - Secado |    |  |    |   |           |  |    |   |
|--|----|--|----|---|-----------|--|----|---|
| 220/240 V  |    |  |    |   | 380/415 V |  |    |   |
| KW   | A  | Fusibili<br>Fusible<br>Fuse<br>Schmelzsicherung<br>Fusible | A  | Teleruttore<br>Contacteur<br>Contactor<br>Schalterschütz<br>Contactor | A         | Fusibili<br>Fusible<br>Fuse<br>Schmelzsicherung<br>Fusible | A  | Teleruttore<br>Contacteur<br>Contactor<br>Schalterschütz<br>Contactor |
| 6  | 20 | 130248   | 12 | 120429  | 12        | 130246   | 12 | 120429  |
| 9  | 25 | 130236   | 25 | 120437  | 16        | 130247   | 25 | 120437  |
| 12   | 40 | 130238   | 40 | 120431  | 25        | 130236   | 25 | 120437  |

M.G. 10/06

## 21 - electrical parts for pumps

| CODE   | DESCRIPTION                 |
|--------|-----------------------------|
| 120428 | CONTACTOR 9A 24V 50HZ       |
| 120429 | CONTACTOR 12A 24V 50HZ      |
| 120430 | CONTACTOR 17A 24V 50HZ      |
| 120431 | CONTACTOR 40A 24V 50HZ      |
| 120433 | CONTACTOR 63A 24V 50HZ      |
| 120437 | CONTACTOR 25A 24V 50HZ      |
| 120441 | CONTACTOR 80AMP 24V 50HZ    |
| 130236 | FUSE 14X51 25A GF14325      |
| 130237 | FUSE 14X51 32A GL14332      |
| 130238 | FUSE 14X51 40A GF 14340     |
| 130239 | FUSE 22X58 63A GF15363      |
| 130240 | FUSE 22X58 80A GF15380      |
| 130245 | FUSE 10.3X38 8A GF13308     |
| 130246 | FUSE 10.3X38 12A GF13312    |
| 130247 | FUSE 10.3X38 16A GF13316    |
| 130248 | FUSE 20A-10,3X38 13320 G.F. |
| 130257 | FUSE 50A 14X51 GF14350      |



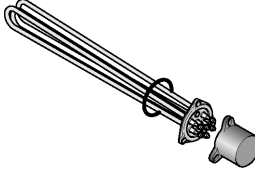


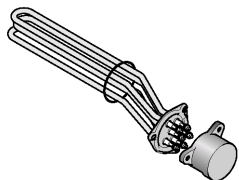
| Tipo porta<br>Type porte<br>Door type<br>Türtyp<br>Modelo puerta |   | 2,5 kg     | 4 kg     | 5,5 kg     |
|--|---|------------|----------|------------|
| Cod.   |   | 391315     | 391309   | 391332     |
| 400  |   |            |          |            |
| 400  | Doppia parete<br>Double skin<br>Double paroi<br>Doppelwandig<br>Dobla pared | (2x2,5) kg |          |            |
| 600  |   | (2x2,5) kg |          |            |
| 600  | Doppia parete<br>Double skin<br>Double paroi<br>Doppelwandig<br>Dobla pared |            | (2x4) kg |            |
| 900  |   |            | (2x4) kg |            |
| 900  | Doppia parete<br>Double skin<br>Double paroi<br>Doppelwandig<br>Dobla pared |            |          | (2x5,5) kg |
| 1150   |   |            |          |            |
| 1150   | Doppia parete<br>Double skin<br>Double paroi<br>Doppelwandig<br>Dobla pared |            | (2x4) kg |            |

**22 - door counterbalance**

| <b>CODE</b> | <b>DESCRIPTION</b>        |
|-------------|---------------------------|
| 190651      | BUSH                      |
| 331430      | BRACKET FOR DOOR SPRING   |
| 391309      | DOOR SPRING 4KG - 40MM    |
| 391315      | DOOR SPRING 2,5KG - 40MM  |
| 391332      | DOOR SPRING 5,5 KG - 40MM |

| Modello            | Prelavaggio<br>Prelavage<br>Vorwaschzone<br>Prelavado<br>600 | Prelavaggio<br>Prelavage<br>Vorwaschzone<br>Prelavado<br>900 | Lavaggio<br>Lavage<br>Wash<br>Waschzone<br>Lavado<br>900 | Lavaggio<br>Lavage<br>Wash<br>Waschzone<br>Lavado<br>600 | Lavaggio<br>Lavage<br>Wash<br>Waschzone<br>Lavado<br>900 | Ecorinse<br>Ecorinse<br>Ecorinse<br>Ecorinse<br>Ecorinse | Risciacquo<br>Rincage<br>Rinse<br>Nachspülung<br>Aclarado |
|--------------------|--|--|--|--|--|--|---|
| <b>ACRS 145</b>    |  |  | 12 Kw<br>(6kw+6kw)                                       |  |  | 4,2 Kw   | 16 Kw<br>(8kw+8kw)  |
| <b>ACRS 145 RC</b> |  |  | 12 Kw<br>(6kw+6kw)                                       |  |  | 4,2 Kw   | 16 Kw<br>(8kw+8kw+6kw)                                    |
| <b>ACRS 205</b>    |  |  | 12 Kw<br>(6kw+6kw)                                       |  |  | 5 Kw   | 18 Kw<br>(9kw+9kw)  |
| <b>ACRS 205 RC</b> |  |  | 12 Kw<br>(6kw+6kw)                                       |  |  | 5 Kw   | 24 Kw<br>(8kw+8kw+8kw)                                    |
| <b>ACRS 225</b>    |  | 10 Kw<br>(5kw+5kw)   | 12 Kw<br>(6kw+6kw)                                       |  |  | 6 Kw   | 20 Kw<br>(10kw+10kw)                                      |
| <b>ACRS 225 RC</b> |  | 10 Kw<br>(5kw+5kw)   | 12 Kw<br>(6kw+6kw)                                       |  |  | 6 Kw   | 24 Kw<br>(9kw+9kw+8kw)                                    |
| <b>ACRS 245</b>    |  |  | 10 Kw<br>(5kw+5kw)                                       | 12 Kw<br>(6kw+6kw)                                       |  | 6 Kw   | 20 Kw<br>(10kw+10kw)                                      |
| <b>ACRS 245 RC</b> |  |  | 10 Kw<br>(5kw+5kw)                                       | 12 Kw<br>(6kw+6kw)                                       |  | 6 Kw   | 26 Kw<br>(9kw+9kw+8kw)                                    |
| <b>ACRS 260</b>    |  |  | 10 Kw<br>(5kw+5kw)                                       |  | 12 Kw<br>(6kw+6kw)                                       | 6 Kw   | 21 Kw<br>(9kw+6kw+6kw)                                    |
| <b>ACRS 260 RC</b> |  |  | 10 Kw<br>(5kw+5kw)                                       |  | 12 Kw<br>(6kw+6kw)                                       | 6 Kw   | 27 Kw<br>(9kw+9kw+9kw)                                    |
| <b>ACRS 265</b>    |  | 10 Kw<br>(5kw+5kw)   | 10 Kw<br>(5kw+5kw)                                       | 12 Kw<br>(6kw+6kw)                                       |  | 6 Kw   | 21 Kw<br>(9kw+6kw+6kw)                                    |
| <b>ACRS 265 RC</b> |  | 10 Kw<br>(5kw+5kw)   | 10 Kw<br>(5kw+5kw)                                       | 12 Kw<br>(6kw+6kw)                                       |  | 6 Kw   | 27 Kw<br>(9kw+9kw+9kw)                                    |
| <b>ACRS 305</b>    |  | 10 Kw<br>(5kw+5kw)   | 10 Kw<br>(5kw+5kw)                                       |  | 12 Kw<br>(6kw+6kw)                                       | 6 Kw   | 24 Kw<br>(8kw+8kw+8kw)                                    |
| <b>ACRS 305 RC</b> |  | 10 Kw<br>(5kw+5kw)   | 10 Kw<br>(5kw+5kw)                                       |  | 12 Kw<br>(6kw+6kw)                                       | 6 Kw   | 27 Kw<br>(9kw+9kw+9kw)                                    |

|   |        |        |
|---|--------|--------|
|  | 4,2 Kw | 110331 |
|   | 5 Kw   | 110371 |
|   | 6 Kw   | 110349 |
|   | 8 Kw   | 110343 |
|   | 9 Kw   | 110362 |
|   | 10 Kw  | 110388 |

|  |                 |        |
|--|-----------------|--------|
|  | <b>Ecorinse</b> |        |
|  | 4,2 Kw          | 110282 |
|  | 5 Kw            | 110283 |
|  | 6 Kw            | 110284 |

23 - heating elements

| CODE   | DESCRIPTION                  |
|--------|------------------------------|
| 110282 | ECORINSE HEATER 4200W ACRS   |
| 110283 | ECORINSE HEATER 5000W ACRS   |
| 110284 | HEAT.ELEMENT 6000W           |
| 110331 | HEAT.ELEMENT 4200W 230/400V  |
| 110343 | HEAT.ELEM. 8000W 220/380V    |
| 110349 | HEAT.ELEMENT 6000W 230/400V  |
| 110362 | HEAT.ELEMENT 9000W 220/380V  |
| 110371 | HEAT.ELEMENT 5000W 220/380V  |
| 110388 | HEAT.ELEMENT 10000W 230/400V |

**1,1 KW 220-240 V / 380-415 V**      **100703 (50 Hz)**  
**100666 (60 Hz)**

630223  
630501  
631654 (50Hz)  
631668 (60Hz)

630411  
630114

630216  
630306

**2,6 KW 220-240 V / 380-415 V**      **100704 (50 Hz)**  
**100681 (60 Hz)**

630223  
630501  
631620 (50Hz)  
631647 (60Hz)

630411  
630114

630216  
630306

**"ECORINSE"**      **0,35 KW 220-240 V / 380-415 V**      **100647 (50 Hz)**  
**100669 (60 Hz)**

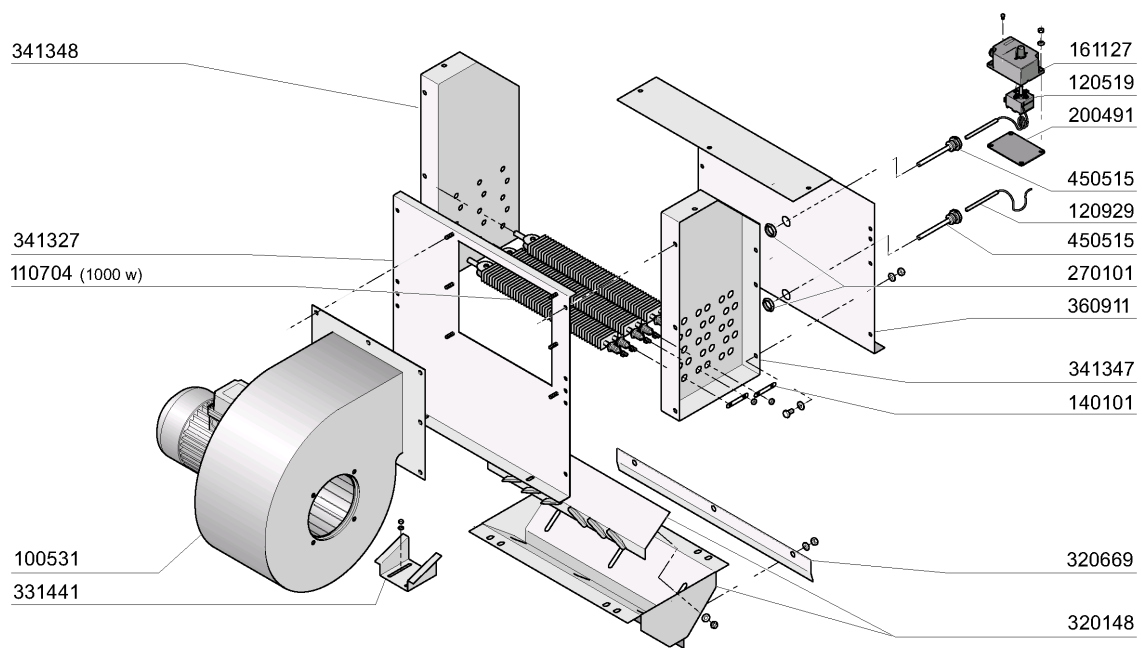
631675 (50Hz)  
631705 (60Hz)  
630416  
630125

630235  
630511

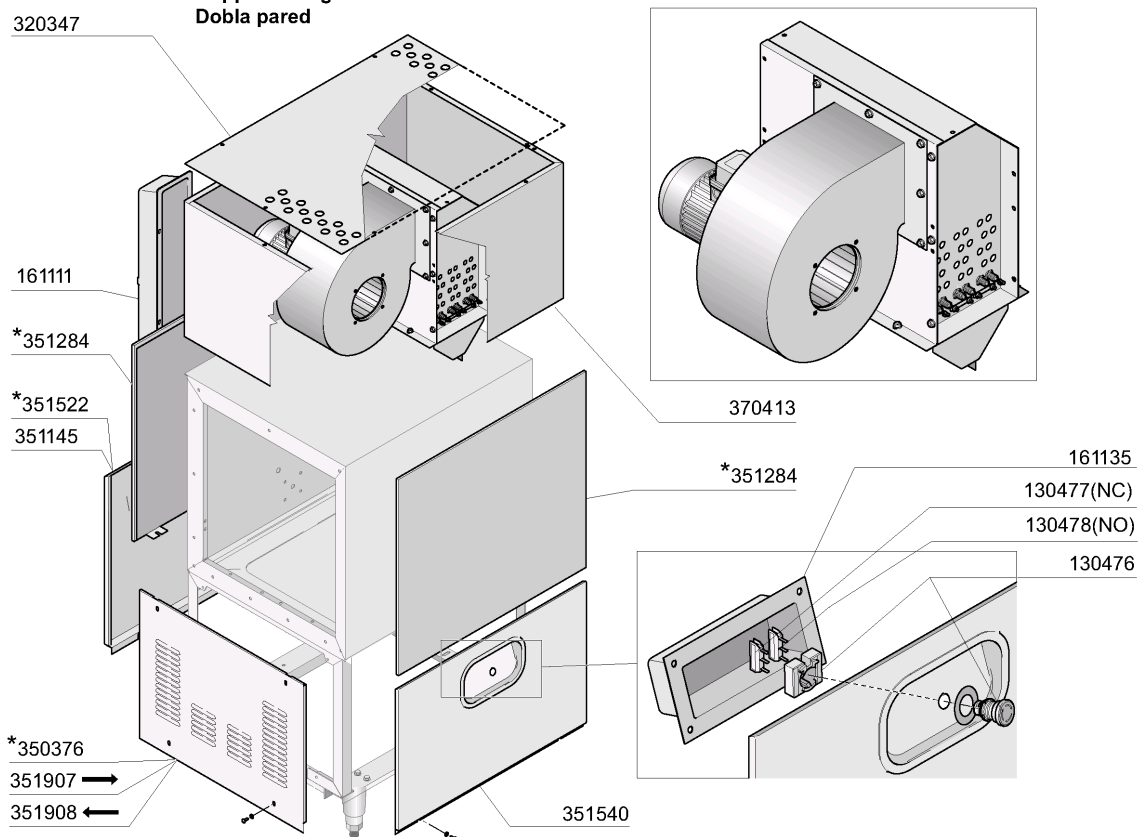
| 220/240 V                                |      |   |        |  |        | 380/415 V   |        |  |        |  |
|--|------|---|--------|--|--------|---|--------|--|--------|--|
| Pompa<br>Pompe<br>Pump<br>Pumpe<br>Bomba |      | Teleruttore<br>Contacteur<br>Contactor<br>Schaltschütz<br>Contactor |        | Magnetotermici<br>Magneto-termique<br>Termo-magnetic<br>Magnetischer schalter<br>Magneto-termico |        | Teleruttore<br>Contacteur<br>Contactor<br>Schaltschütz<br>Contactor |        | Magnetotermici<br>Magneto-termique<br>Termo-magnetic<br>Magnetischer schalter<br>Magneto-termico |        |  |
| Hp                                       | Kw   | A   | cod.   | A  | cod    | A   | cod.   | A  | cod.   |  |
| 0,46                                     | 0,35 | 9   | 120428 | 1 + 1,6  | 120821 | 9   | 120428 | 0,4 ÷ 0,63   | 120830 |  |
| 2  | 1,1  | 9   | 120468 | 4 + 6  | 120824 | 9   | 120428 | 2,5 ÷ 4  | 120823 |  |
| 3,6                                      | 2,6  | 12  | 120429 | 7 + 10   | 120828 | 9   | 120428 | 4 + 6  | 120824 |  |

## 24 - pumps

| CODE   | DESCRIPTION                    |
|--------|--------------------------------|
| 100647 | PUMP HP 0,20 220/240/3 4226    |
| 100666 | PUMP 1,5HP 220/380 60HZ 1241   |
| 100669 | PUMP HP 0,12 220/380 60HZ C16  |
| 100681 | PUMP 3,5HP 220/380 60HZ 2243   |
| 100703 | PUMP 1,5HP 220/380 50HZ 1241   |
| 100704 | PUMP HP 3,5 220/380 50HZ 1244  |
| 120428 | CONTACTOR 9A 24V 50HZ          |
| 120429 | CONTACTOR 12A 24V 50HZ         |
| 120468 | CONTACTOR ABB 9A 24V 50/60HZ   |
| 120821 | OVERLOAD RELAY 1/1,6A          |
| 120823 | OVERLOAD RELAY 2.5/4 A         |
| 120824 | OVERLOAD RELAY 4/6 A           |
| 120828 | OVERLOAD RELAY 7/10 A          |
| 120830 | OVERLOAD RELAY 0,40 - 0,63 A   |
| 630114 | VOLUTE FI HP2-2,7-3-3,2        |
| 630125 | VOLUTE 0,12/0,3(2212-29)       |
| 630216 | FAN HOUSING FIR HP 2-3         |
| 630223 | BACK PLATE PUMP HP2-3-3,2      |
| 630235 | PUMP COVER 0,12/0,3 2212-19    |
| 630306 | PUMP FAN IMPELLOR FI HP.2-3    |
| 630411 | O-RING PUMP FI HP 2-2,7        |
| 630416 | OR FOR VOLUTE 0,12/0,3         |
| 630501 | SEAL FOR PUMP HP 2-3-3,2       |
| 630511 | PUMP SEAL HP 0,10 82           |
| 631620 | IMPELLER HP 3-3,2 1205-43      |
| 631647 | IMPELLER D.100-60HZ-1204/5     |
| 631654 | PUMP IMPELLER 1,5HP 50HZ 1241  |
| 631668 | IMPELLER D.85 HP1,5-60HZ-1241  |
| 631675 | ST/ST PUMP IMPELLER 0,2HP 2226 |
| 631705 | IMPELLER 60HZ FOR PUMP 100669  |



\* Doppia parete  
Double skin  
Double paroi  
Doppelwandig  
Dobla pared

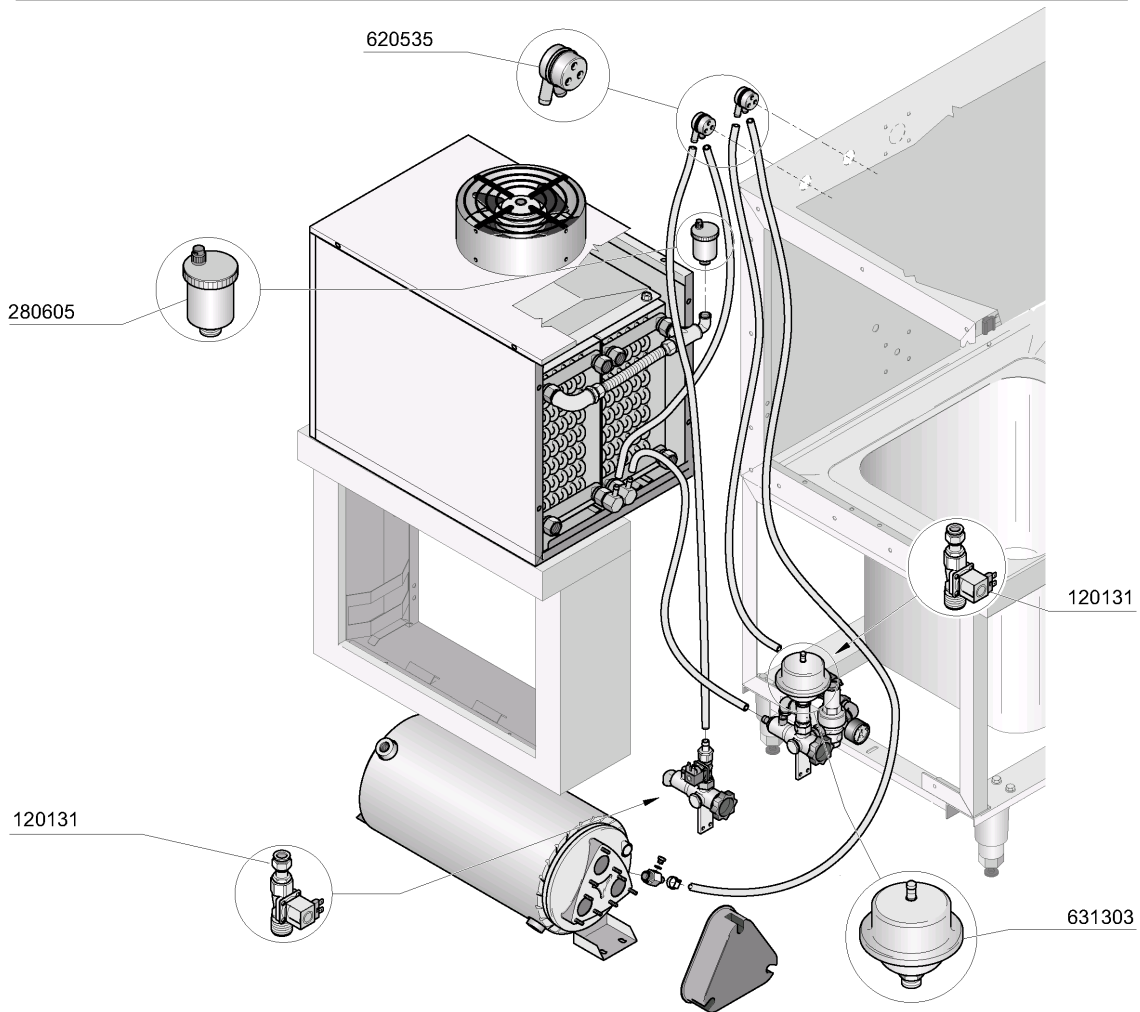
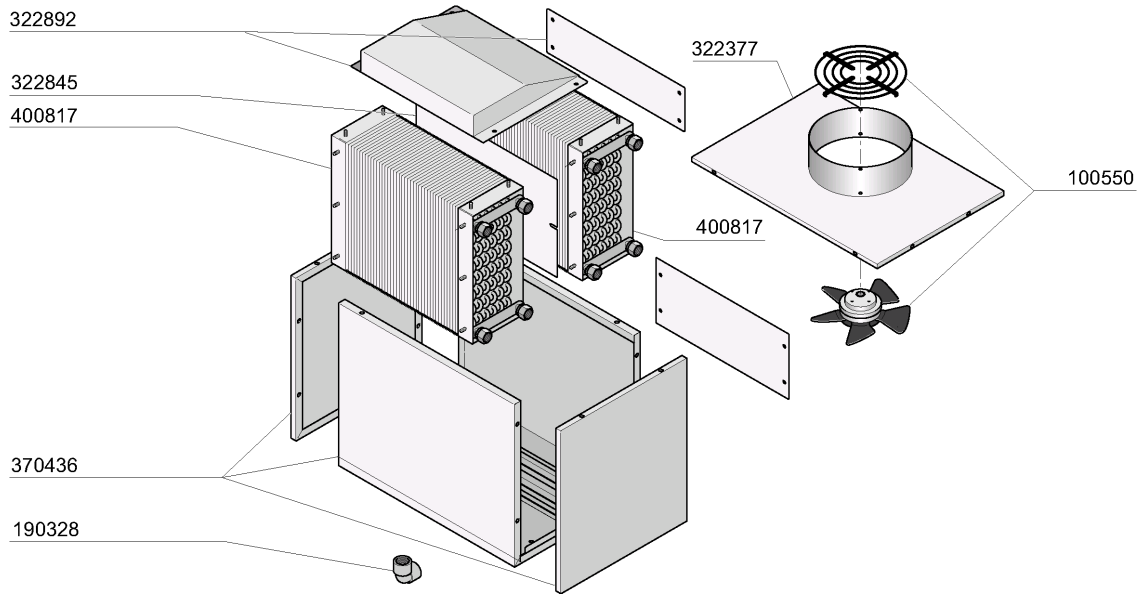


## 25 - Blower Dryer

| CODE   | DESCRIPTION                    |
|--------|--------------------------------|
| 100531 | FAN HP1,5-220/380/415-BPN9     |
| 110704 | HEAT.ELEMENT/DRYING 1000W 220V |
| 120519 | SECURITY THERMOSTAT 95-125Ø    |
| 120929 | PROBE 12 MT                    |
| 130476 | ROTATIVE EMERGENCY SWITCH      |
| 130477 | CONTACT NC                     |
| 130478 | CONTACT N.O.                   |
| 140101 | BRASS CONNECT. PLATE HEAT.ELEM |
| 161111 | BACK COVER CHANNEL 130 N S2900 |
| 161127 | BOX FOR THERMOSTAT             |
| 161135 | PROTECTION FOR PUSH BUTTON NE  |
| 200491 | BACK GASKET OF THERMOSTAT BOX  |
| 270101 | HEXAGON LOCK NUT 1/2"          |
| 320148 | DEFLECTOR F. DRYER             |
| 320347 | COVER FOR DRYER                |
| 320669 | FIXING PLATE                   |
| 331441 | BRACKET FOR DRYING VENTILATOR  |
| 341327 | FAN SUPPORT                    |
| 341347 | RIGHT SUPPORT                  |
| 341348 | LEFT SUPPORT                   |
| 350376 | LATERAL PANEL AC               |
| 351145 | PANEL                          |
| 351284 | PANEL                          |
| 351522 | BACK PANEL 800 ACR             |
| 351540 | EMERG. PUSH BUTTON FRONT PANEL |
| 351907 | PANN.LAT.LE SX AC COIBENTATE   |
| 351908 | PANN.LAT.LE DX AC COIBENTATE   |
| 360911 | PANEL                          |
| 370413 | DRYING MODULE                  |
| 450515 | STAINL.ST.SHIELD FOR 1 THERMOS |



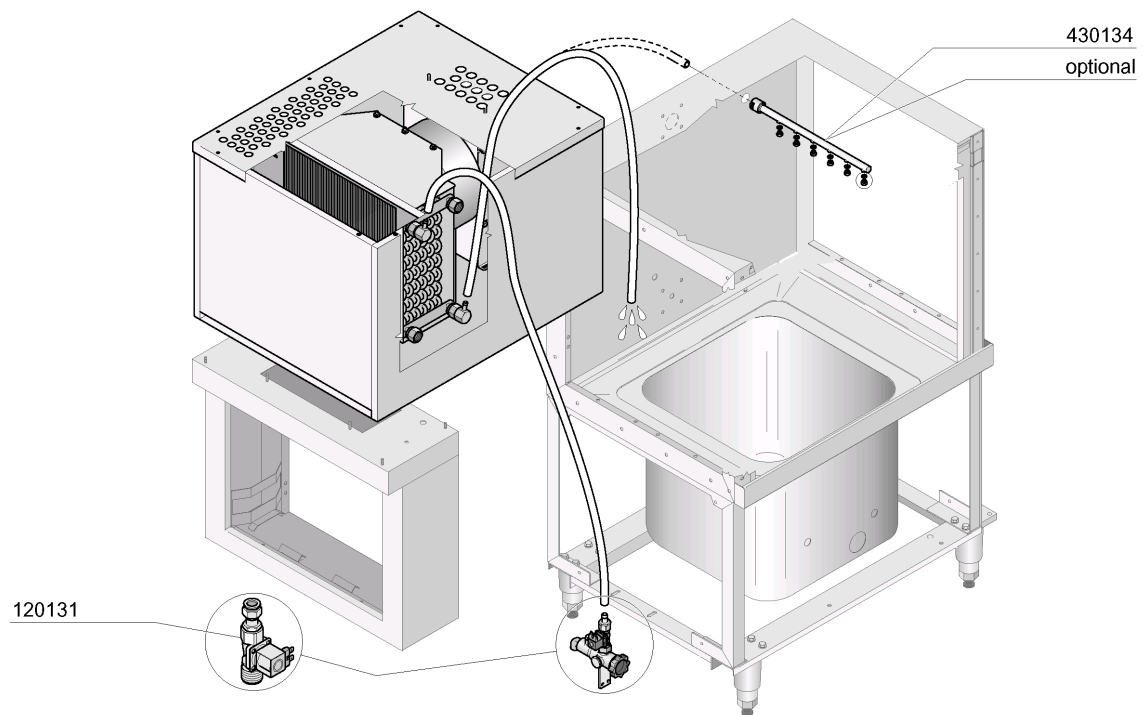
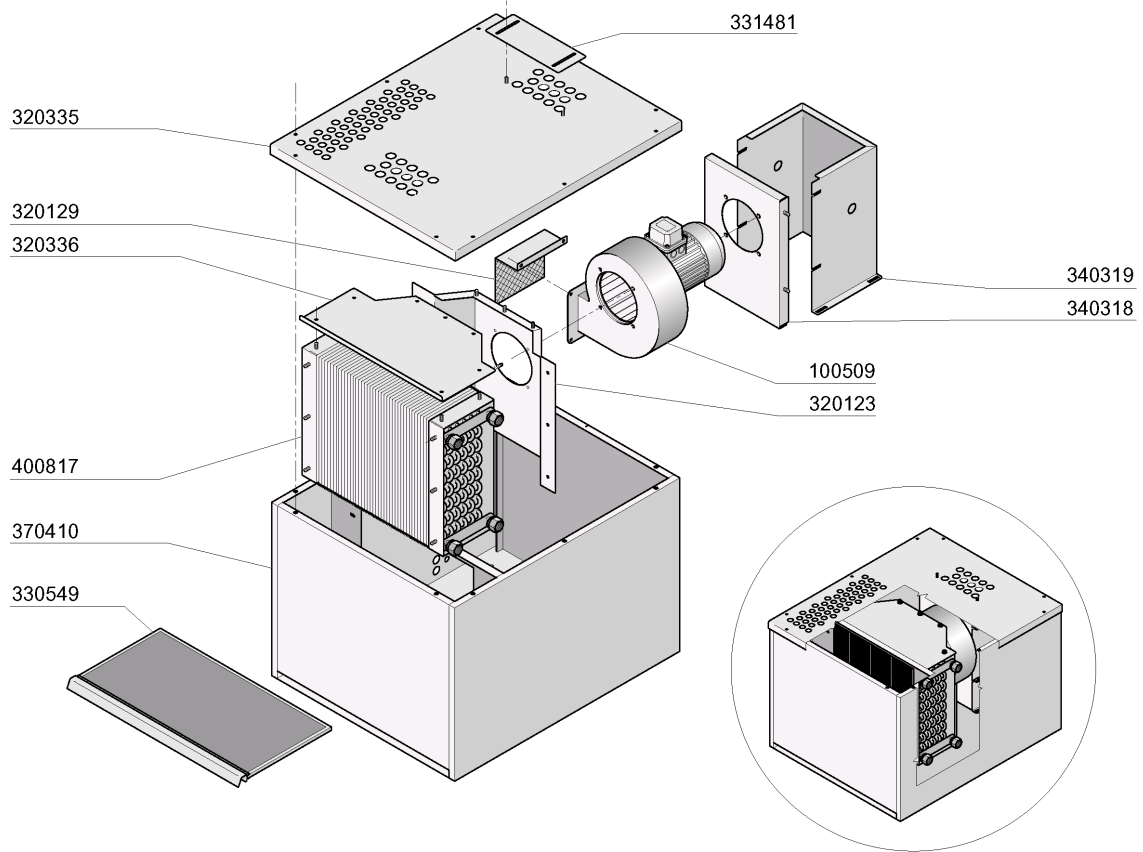
26 - Heat recovery unit



26 - Heat recovery unit

| CODE   | DESCRIPTION                   |
|--------|-------------------------------|
| 100550 | FAN FOR HEAT RECOVERY UNIT    |
| 120131 | SOLE. L182Q31-ZB10A 1/2"24V   |
| 190328 | DRAIN 3/4"                    |
| 280605 | AUTOMATIC AIR VENT 1/4" GAS   |
| 322377 | COVER                         |
| 322845 | COVER                         |
| 322892 | COVER                         |
| 370436 | HOOD                          |
| 400817 | BATTERY FOR STEAM CONDENSER + |
| 620535 | VACUUM BREAKER                |
| 631303 | HYDRAULIC AIR VESSEL FOR HEAT |

27 - Steam Condenser

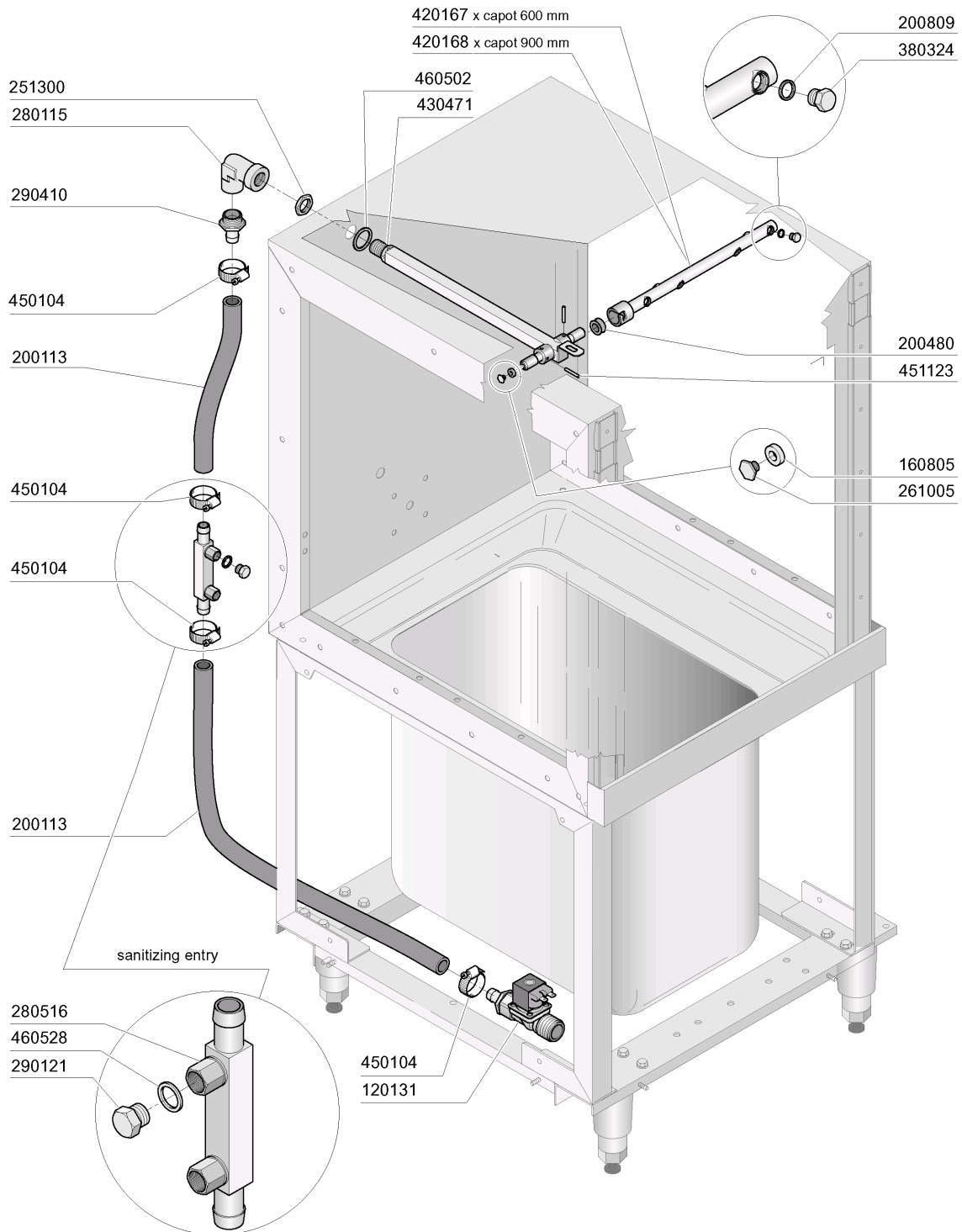


M.G. 01/08

## 27 - Steam Condenser

| <b>CODE</b> | <b>DESCRIPTION</b>             |
|-------------|--------------------------------|
| 100509      | FAN 0,75HP 220/415 V164/2      |
| 120131      | SOLEN. L182Q31-ZB10A 1/2"24V   |
| 320123      | VORTEX BREAKER F.STEAM CONDENS |
| 320129      | VORTEX BREAKER F.STEAM CONDENS |
| 320335      | TOP PANEL FOR STEAM CONDENSER  |
| 320336      | TOP PANEL FOR STEAM CONDENSER  |
| 330549      | CONDENSATE UNIT FILTER         |
| 331481      | BRACKET                        |
| 340318      | PANEL                          |
| 340319      | PANEL                          |
| 370410      | CONDENSER MODULE               |
| 400817      | BATTERY FOR STEAM CONDENSER +  |
| 430134      | RINSE ARM WITH CONNECTION NE   |

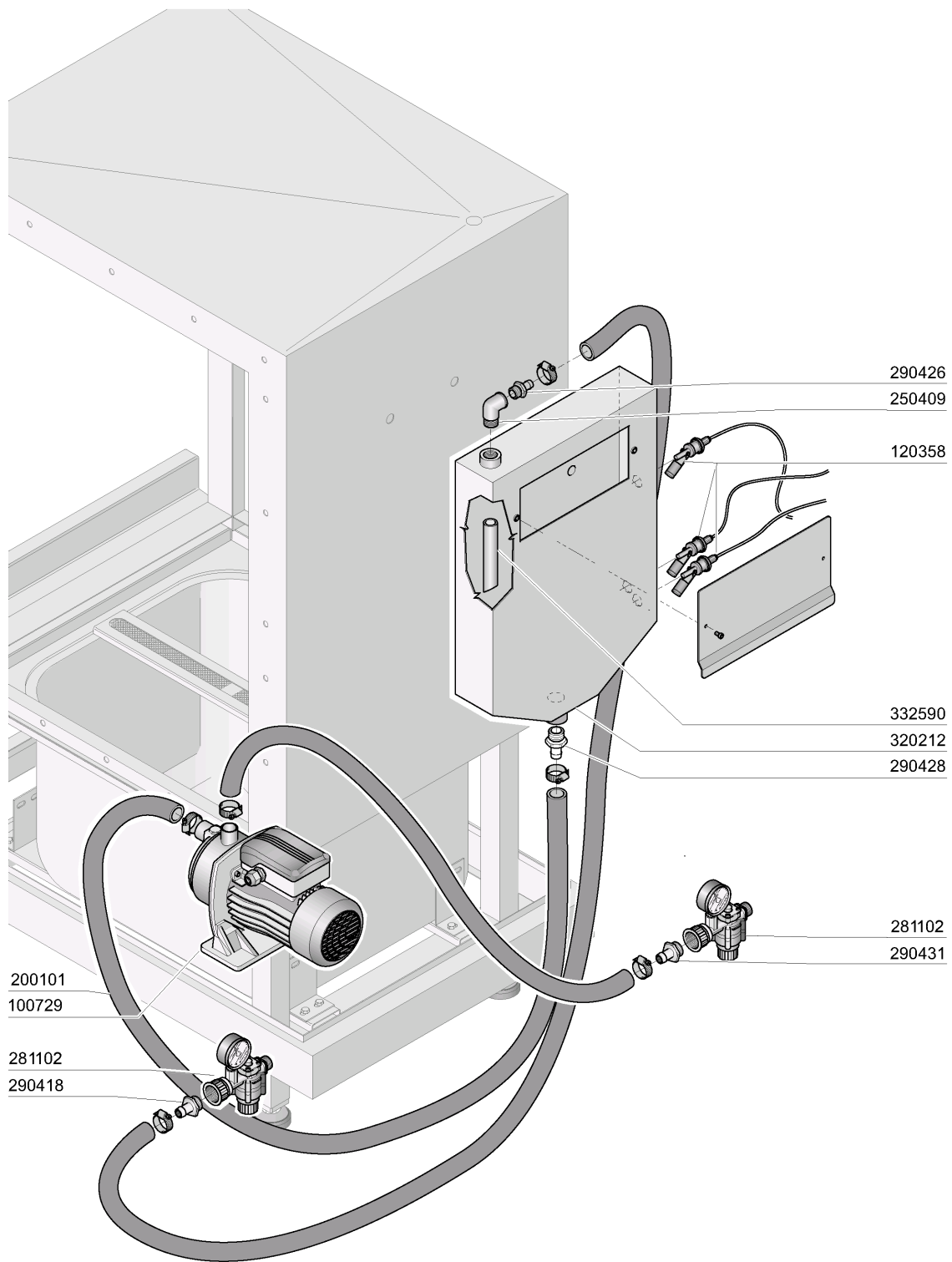
28 - Sanitising system



M.G. 01/08

**28 - Sanitising system**

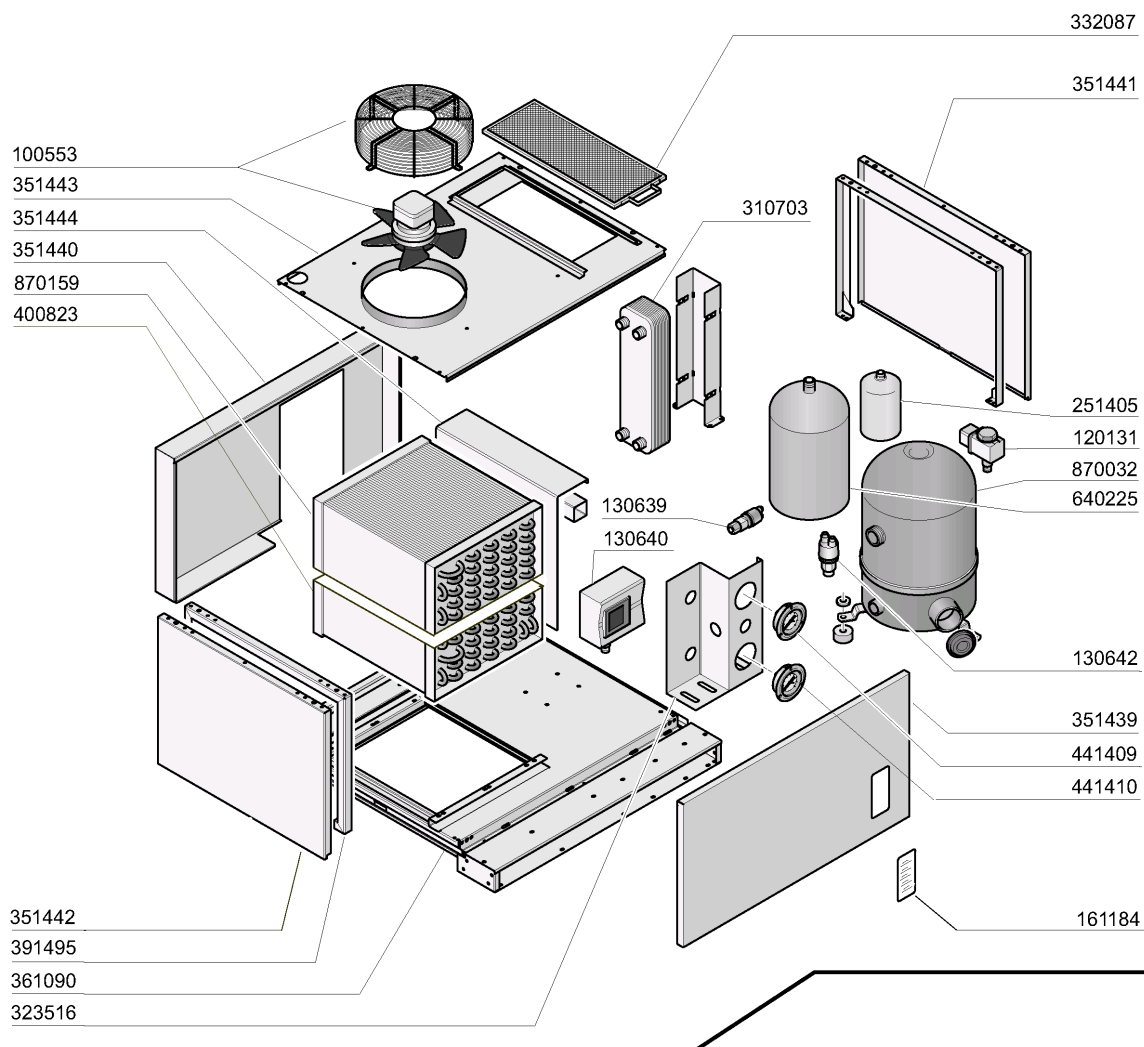
| <b>CODE</b> | <b>DESCRIPTION</b>             |
|-------------|--------------------------------|
| 120131      | SOLEN. L182Q31-ZB10A 1/2"24V   |
| 160805      | GASKET D.8                     |
| 200113      | RUBBER HOSE 12 X 22            |
| 200480      | GASKET F. RINSE CONNECT.       |
| 200809      | OR GASKET 1,78X8,73X12,29      |
| 251300      | S/S LOCK NUT 1/2" AC-ACR       |
| 261005      | SCREW F. TEE UP.WASH F2-B41    |
| 280115      | ELL 1/2"                       |
| 280516      | CONNECTION 14M X 2             |
| 290121      | BRASS PLUG 1/8"                |
| 290410      | NIPPLE 1/2"                    |
| 380324      | RINSE JETS 52,5 80Ø OV1/8"     |
| 420167      | WASH ARM FOR SELF CLEANING     |
| 420168      | WASH ARM FOR SELF CLEANING     |
| 430471      | SEFWASH COLUMN                 |
| 450104      | CLAMP FE ZN H=12,5 15-24       |
| 451123      | ELASTIC PIN 4X16               |
| 460502      | GASKET 30X21X2                 |
| 460528      | GASKET 15X10X2 FOR RINSE NIPPE |



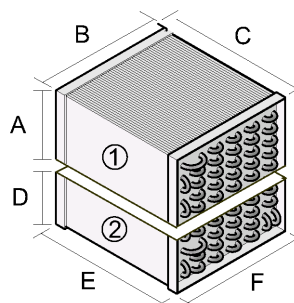
29 - Break tank\_TR

| CODE   | DESCRIPTION                   |
|--------|-------------------------------|
| 100729 | PUMP HP 0,4 220/240V 2HM3T    |
| 120358 | FLOATING MAGN.SWITCH          |
| 200101 | RUBBER TUBE 25X35             |
| 250409 | INOX ELL FF 1/2"              |
| 281102 | 1/2" ADJ VALVE C/W GAUGE TYPE |
| 290418 | NIPPLE 1/2"                   |
| 290426 | NIPPLE 1/2"                   |
| 290428 | NIPPLE M.3/4"                 |
| 290431 | NIPPLE 1/2"                   |
| 320212 | BREAK TANK BOX                |
| 332590 | STAINLESS STEEL HOSE FOR B.T. |



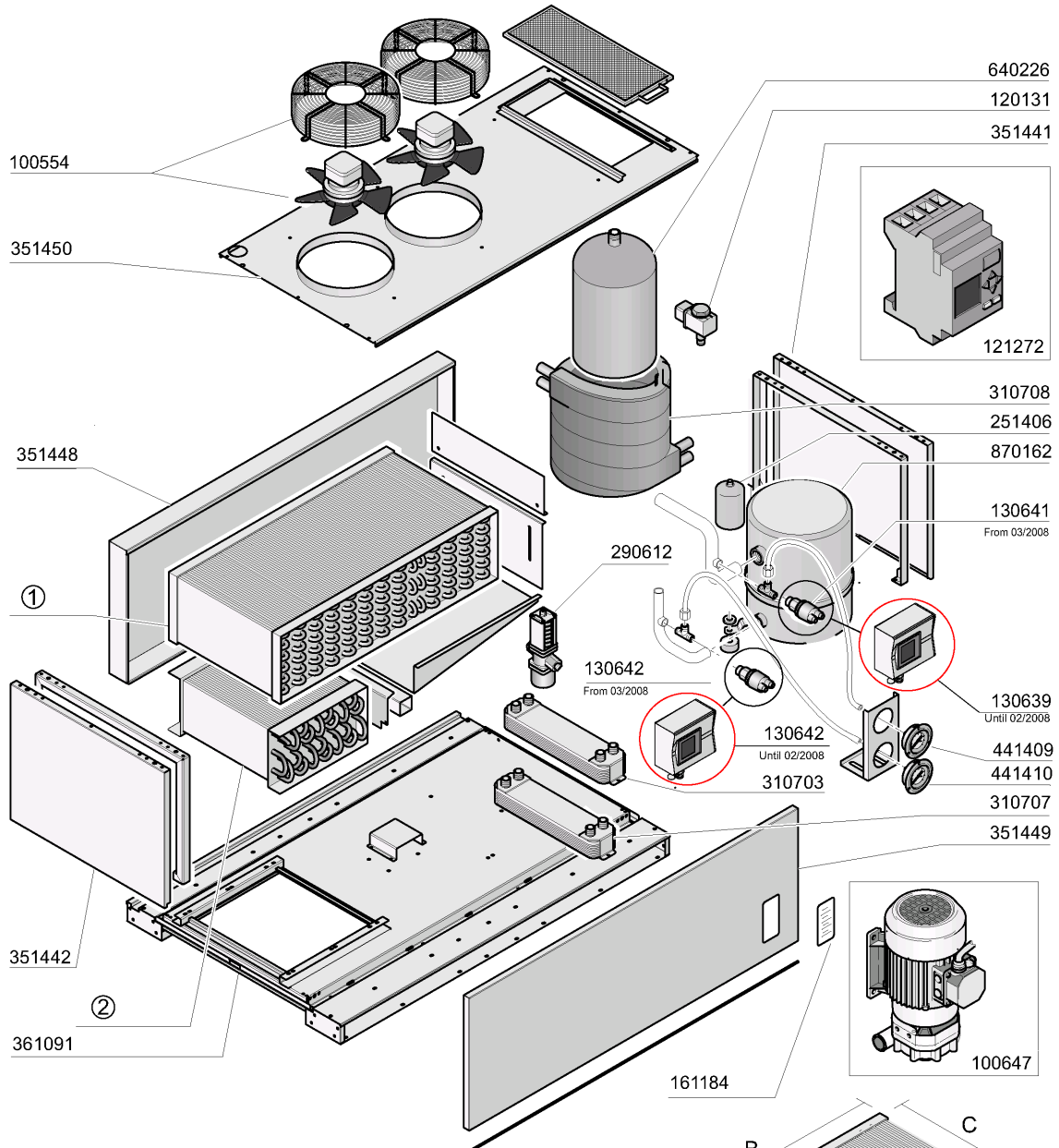


- ① - A x B x C = 298 x 423 x 490 = CODE 870159/RIV
- ① - A x B x C = 230 x 400 x 450 = CODE 870159
- ② - D x E x F = 142 x 490 x 423 = CODE 400823/RIV
- ② - D x E x F = 140 x 450 x 450 = CODE 400823

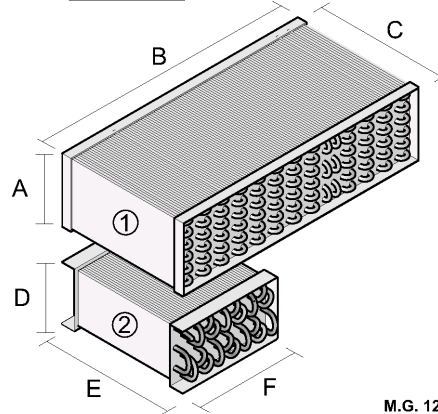


### 30 - Heat pumps WP4

| CODE       | DESCRIPTION                    |
|------------|--------------------------------|
| 100553     | WP4 FAN                        |
| 120131     | SOLEN. L182Q31-ZB10A 1/2"24V   |
| 130639     | LOW PRESSURE SWITCH WP         |
| 130640     | HIGH PRESSURE SWITCH WP        |
| 130642     | PRESSURE SWITCH WP4-LOW PRESS. |
| 161184     | MANOMETER INSPECTION GLASS     |
| 251405     | FILTER WP4                     |
| 310703     | RINSE WATER CONDENSOR          |
| 323516     | MANOMETER SUPPORT              |
| 332087     | WP4 COVER FILTER               |
| 351439     | FRONT PANEL 750 MM             |
| 351440     | BACK PANEL 750MM               |
| 351441     | ENTRY PANEL 750MM              |
| 351442     | EXIT PANEL 750MM               |
| 351443     | UPPER PANEL 750MM              |
| 351444     | PARZIALIZZATORE WP 750MM       |
| 361090     | BASEMENT WP4                   |
| 391495     | LEFT SIDE HOOD                 |
| 400823     | BATTERY WP4                    |
| 400823/RIV | BATTERY WP4                    |
| 441409     | MANOMETRO ASPIRAZIONE (WP)     |
| 441410     | MANOMETRO CONDENSAZIONE (WP)   |
| 640225     | LIQUID GAS CONTAINER FOR WP4   |
| 870032     | COMPRESSOR WP4                 |
| 870159     | EVAPORATOR WP4                 |
| 870159/RIV | EVAPORATOR WP4                 |



- ① A x B x C = 250 x 800 x 460 = CODE 870164/RIV
- ① A x B x C = 175 x 750 x 450 = CODE 870164
- ② D x E x F = 190 x 460 x 460 = CODE 400824/RIV
- ② D x E x F = 175 x 450 x 450 = CODE 400824



M.G. 12/09

### 31 - Heat pumps WP6

| CODE       | DESCRIPTION                    |
|------------|--------------------------------|
| 100554     | WP6/WP8 FAN                    |
| 100647     | PUMP HP 0,20 220/240/3 4226    |
| 120131     | SOLEN. L182Q31-ZB10A 1/2"24V   |
| 121272     | PLC                            |
| 130639     | LOW PRESSURE SWITCH WP         |
| 130641     | PRESSOS WP4 LOW PRESS 2.2 BAR  |
| 130642     | PRESSURE SWITCH WP4-LOW PRESS. |
| 161184     | MANOMETER INSPECTION GLASS     |
| 251406     | FILTER WP6-WP8                 |
| 290612     | VALVOLA PRESSOSTATICA(WP6-WP8) |
| 310703     | RINSE WATER CONDENSOR          |
| 310707     | CONDENS.GAS/ACQUA BY-PASS (WP) |
| 310708     | CONDENSER (WP)                 |
| 351441     | ENTRY PANEL 750MM              |
| 351442     | EXIT PANEL 750MM               |
| 351448     | BACK PANEL 1250MM WP           |
| 351449     | 1250MM WP FRONT PANEL          |
| 351450     | UPPER PANEL 1250MM             |
| 361091     | BASEMENT WP6                   |
| 400824     | BATTERY WP6                    |
| 400824/RIV | BATTERY WP6                    |
| 441409     | MANOMETRO ASPIRAZIONE (WP)     |
| 441410     | MANOMETRO CONDENSAZIONE (WP)   |
| 640226     | LIQUID GAS CONTAINER FOR WP6-8 |
| 870162     | COMPRESSOR WP6                 |
| 870164     | EVAPORATOR WP6                 |
| 870164/RIV | EVAPORATOR WP6                 |